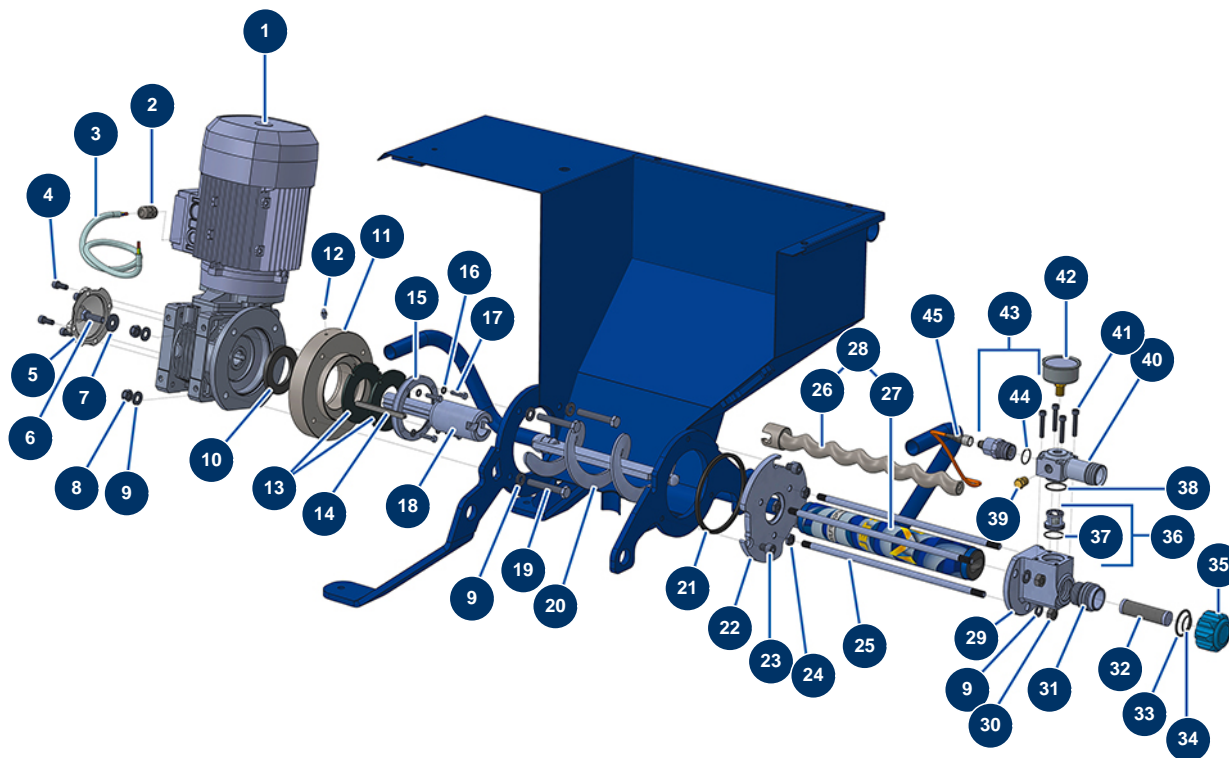


## JETMIX 100 wireless + MIXPRO 70 atomizing set - JETMIX 100 transmission



### Détails des pièces

Pos.	Référence	Désignation
1	90189	Electric motor 2,2 kW - T90 - B14 - 1400 rpm - 400V
2	30040	Nickel plated watertight cable gland of 11 CEM
3	90606	Shielded cable 4 x 1,5 by the metre
4	80470	8 x 20 cylindrical head screw
5	90287	14 P2 & 24 P gear reducer plastic cover
6	12934	THEF 10 x 35 screw
7	30293	ø 10 inox large washer
8	13981	M 10 nylstop inox nut
9	80261	ø 10 inox medium washer
9	80261	ø 10 inox medium washer
9	80261	ø 10 inox medium washer
10	70107	Spi seal 50 x 80 x 8 for 24P,24PT, MPE300, COMPACT-PRO 30
11	M10468	BONFI motor spacer flange for JETPRO, JETMIX 80 & 100

Pos.	Référence	Désignation
12	60012	M6 straight lubricator
13	12507	Bottom of tank seal for JETPRO 80
14	90750	8 x 7 x 100 parallel key with round end for 24P et PT
15	M10222	Flange seal for JETPRO 80 & 120
16	70087	∅ 6 inox narrow washer
17	80561	THEF 6 x 25 screw
18	M10221	Drive shaft for JETPRO 80
19	12163	THEF 10 x 70 inox screw
20	C20561	JETPRO 80 connecting rod
21	12506	4-lobes seal for JETPRO 80 flange
22	M10224	JETPRO 80 flange
23	14121	10 x 12 inox cylindrical head screw
24	13979	M10 flat inox nut
25	M10226	Fastening tie rod for JETPRO 80
26	MI7009107700	EUROPRO JET 2 chromed pump rotor with bayonet head
27	MI3F00529100	EUROPRO JET 2-80SH pump stator
28	30791	EUROPRO JET 2 pump rotor/stator kit
29	M10727	Stator flange for MINIJET/JETPRO without stainless steel insert
30	13978	M10 inox nut
31	M10782	MINIJET/JEPTRO stator flange insert
32	30667	15 meshes filter for JETPRO spray-gun
33	14863	35 x 3 O-ring
34	14765	22 x 2 O-ring
35	M10781	BLUE filter plug for stainless steel insert
36	14789	Complete ball cage for MINIJET/JETPRO new generation
37	14607	27 x 1,5 O-ring
38	14764	28 x 2 O-ring
39	90842	1/4" high-pressure MaleC plug
40	Nous consulter	40
41	Nous consulter	41
42	12623	50 mm axial manometer 1/4" conical - 0 to 160 bar
43	Nous consulter	43
44	Nous consulter	44
45	12409	M12 straight female connector with 2m cable