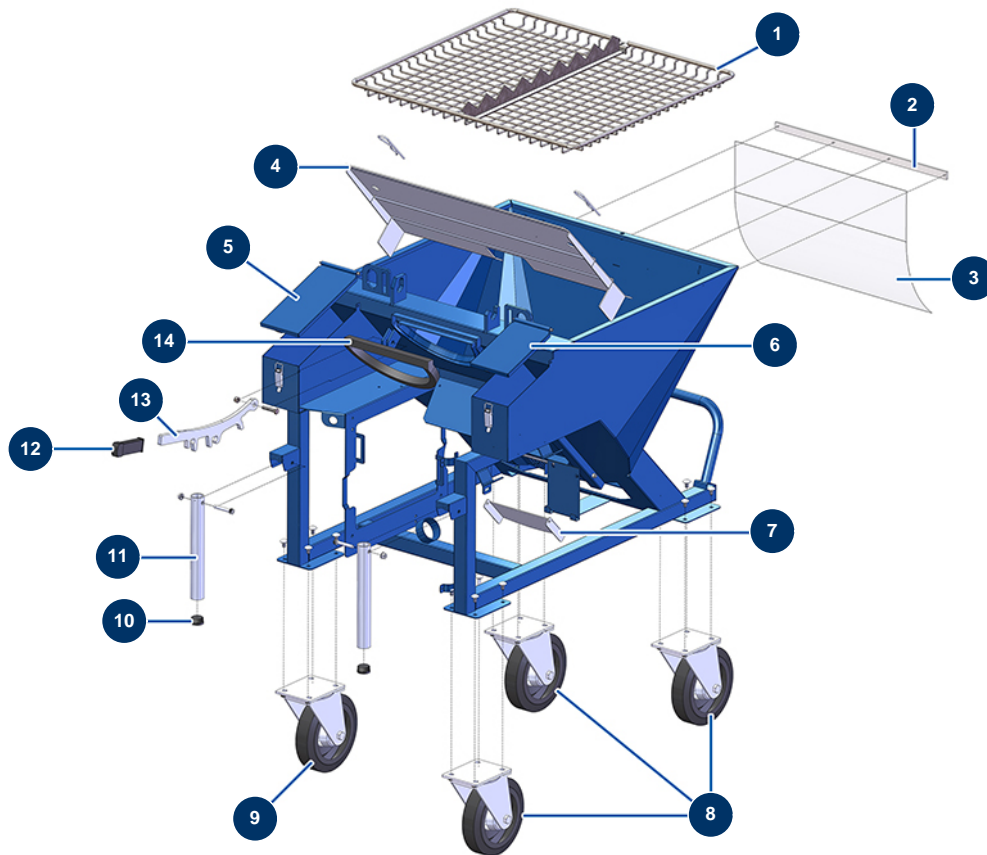


## MIXPRO 50 STANDARD complete continuous mixing machine - 400V 50 Hz - Chassis



### Détails des pièces

Pos.	Référence	Désignation
1	MI7017502000	PLUS TOP safety grid
2	MI4906519000	
3	MI4920001010	MIXPRO 28 compressor protection plastic
4	C23633	4
5	MI400201500A	MIXPRO 50 large drawer cover
6	MI400201400A	MIXPRO 50 small drawer cover
7	MI401700110A	
8	MI3F00300902	Pivot wheel without brake
9	MI3F00300901	Pivot wheel with brake
10	MI3F00400400	Black PVC plug
11	MI4914001000	MIXPRO 30 & 50 machine arm
12	MI3T02700201	Rubber handle
13	MI4928001000	

<b>Pos.</b>	<b>Référence</b>	<b>Désignation</b>
14	MI3G01000151	Motor support gasket by the metre