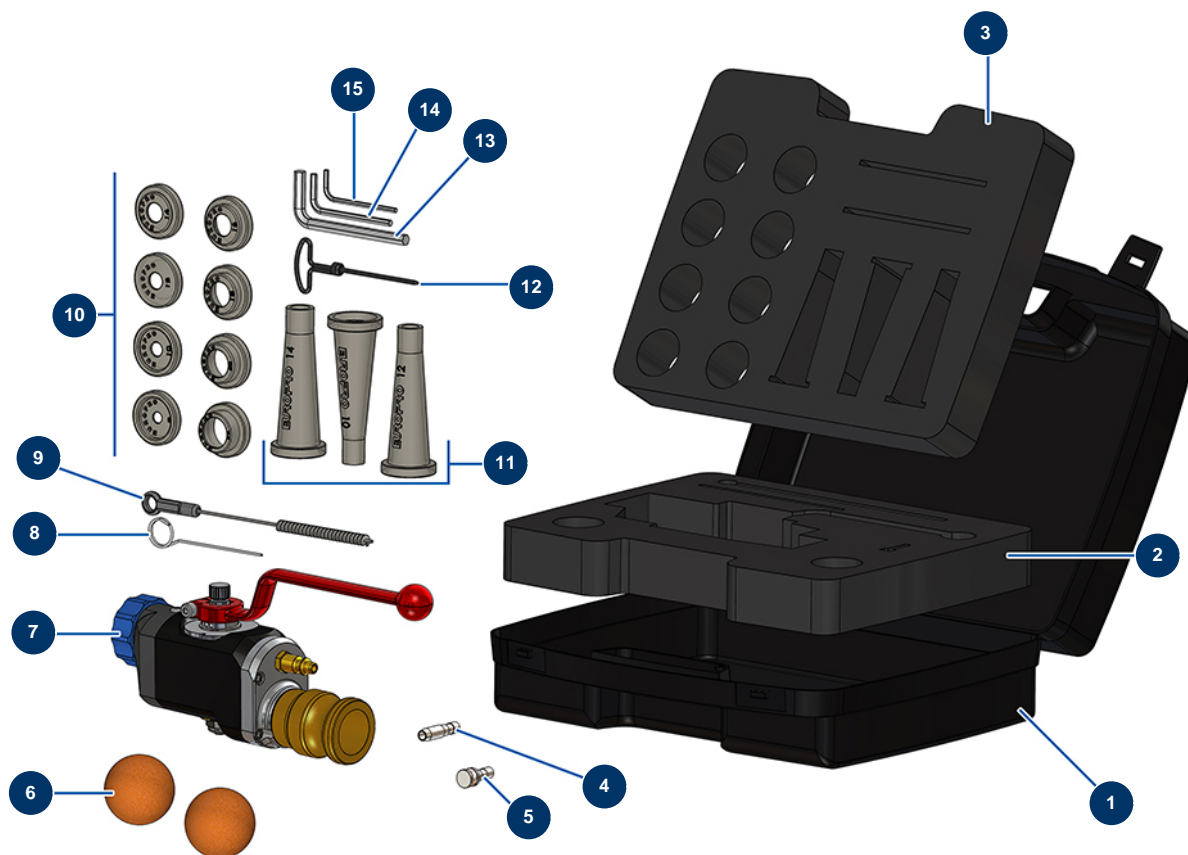


## ABS mortar complete lance - 1" 1/4 coupling - General view



### Détails des pièces

Pos.	Référence	Désignation
1	80168	Empty case for spray-gun
2	11878	C.P case lower wedging foam-rubber
3	11879	C.P case upper wedging foam-rubber
4	11814	Air injector tube for mortar lance
5	11815	Air plug for mortar lance
6	90566	Cleaning ball Ø 50
7	12275	ABS mortar spray lance 1"1/4 coupling
8	1001017	Un-blocking pin
9	1022035	Cleaning brush
10	11760	Set of spray nozzles Ø 8, 10, 12, 14, 16, 18, 20, 22 - C.P
11	11759	Set of grouting nozzles Ø 10, 12, 14
12	90605	Tube brush
13	101013	7mm Allen key

<b>Pos.</b>	<b>Référence</b>	<b>Désignation</b>
14	13050	4mm Allen key
15	11175	3mm Allen key