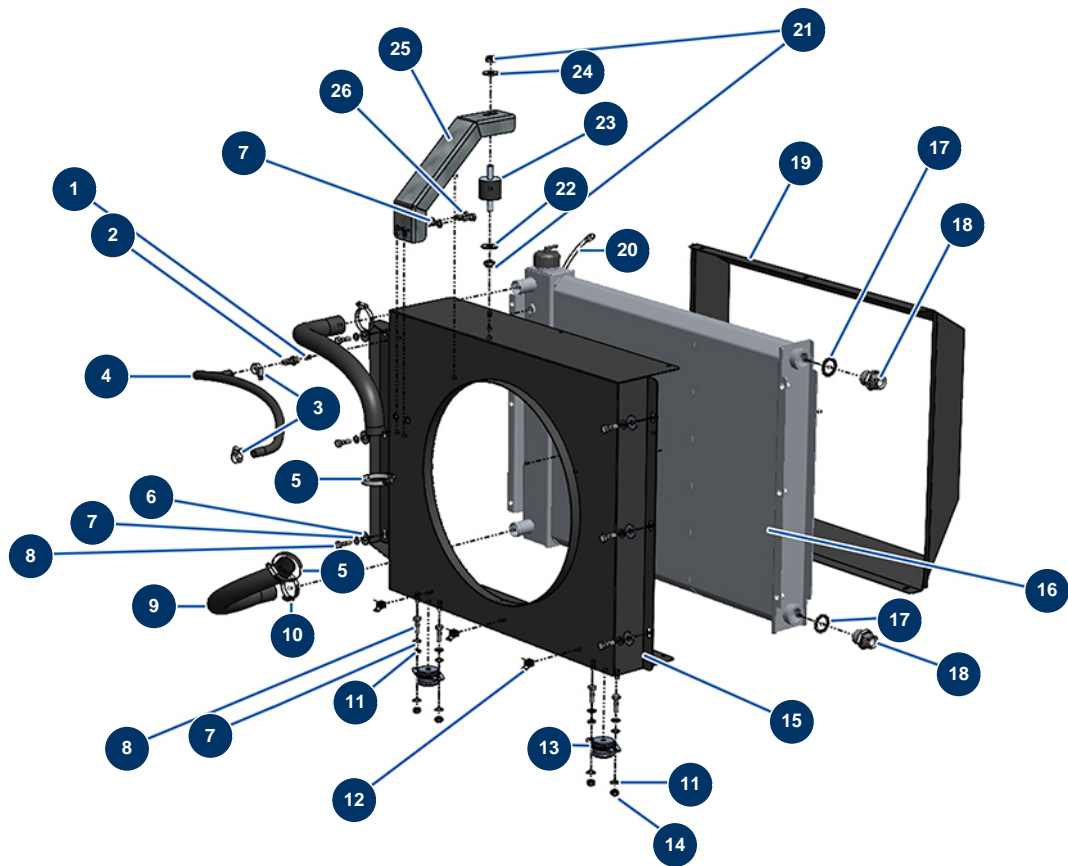


X-PRO D200 liquid screed machine - Radiator



Détails des pièces

Pos.	Référence	Désignation
1	20406	
2	80094	1/4" corrugated outer threaded coupling Ø 10
3	20247	8-16 mm collar
4	20409	Cooling liquid hose ø 8 x 15 by the metre
5	20393	
5	20393	
6	30292	ø 8 inox large washer
7	80269	Grower washer ø 8
7	80269	Grower washer ø 8
7	80269	Grower washer ø 8
8	11544	THEF 8 x 25 screw
8	11544	THEF 8 x 25 screw
9	20248	

Pos.	Référence	Désignation
10	20242	25-40 mm collar
11	30256	∅ 8 inox narrow washer
11	30256	∅ 8 inox narrow washer
12	80197	Sarel collar support
13	20536	
14	90127	M 8 nylstop nut
15	C23109	15
16	20169	Engine/Hydraulic oil cooler RL - X-PRO D200
17	12573	Steel gasket for 3/4" hollow screw with lip
17	12573	Steel gasket for 3/4" hollow screw with lip
18	90774	3/4" MaleD x 3/4" MaleD high-pressure nipple
18	90774	3/4" MaleD x 3/4" MaleD high-pressure nipple
19	C23108	19
20	90541	Clear air hose ∅ 6 by the metre
21	60013	M 10 nylstop nut
22	30280	∅ 10 inox narrow washer
23	20681	Silentbloc ∅ 40 x 35 M-M10
24	30293	∅ 10 inox large washer
25	C23107	25
26	30273	THEF 8 x 20 screw