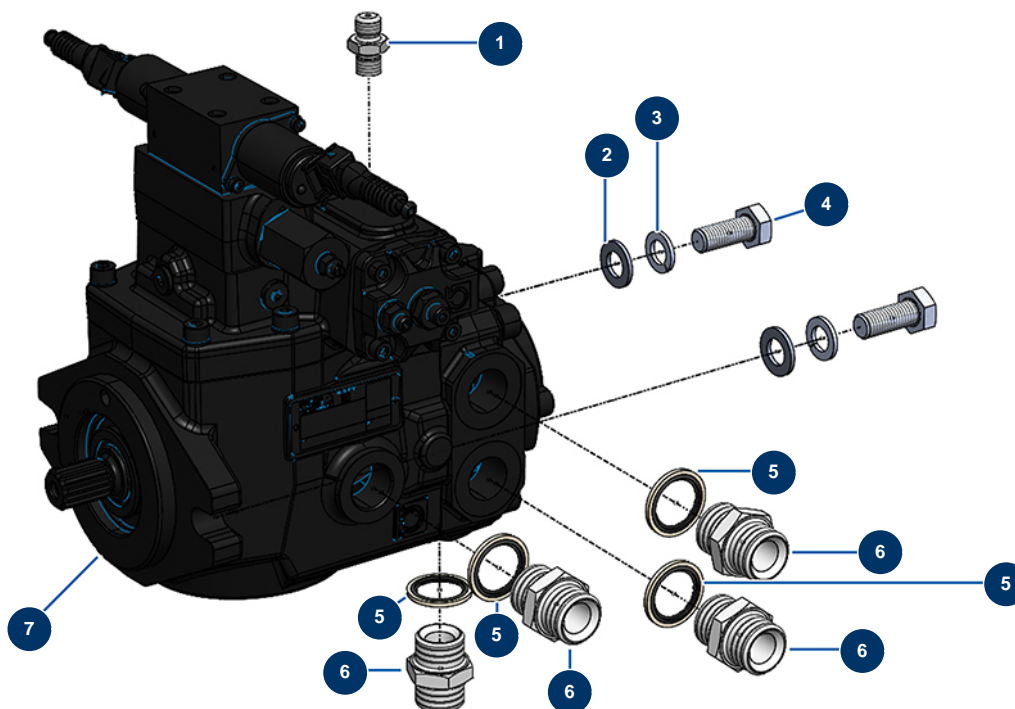


## X-PRO D200 liquid screed machine - 37cc hydraulic pump



### Détails des pièces

Pos.	Référence	Désignation
1	20123	
2	30286	ø 14 inox narrow washer
3	20293	127 ø 14 grower washer
4	20292	THEF 961 14/150 x 35 screw
5	12573	Steel gasket for 3/4" hollow screw with lip
5	12573	Steel gasket for 3/4" hollow screw with lip
5	12573	Steel gasket for 3/4" hollow screw with lip
5	12573	Steel gasket for 3/4" hollow screw with lip
6	90774	3/4" MaleD x 3/4" MaleD high-pressure nipple
6	90774	3/4" MaleD x 3/4" MaleD high-pressure nipple
6	90774	3/4" MaleD x 3/4" MaleD high-pressure nipple
6	90774	3/4" MaleD x 3/4" MaleD high-pressure nipple
7	20475	