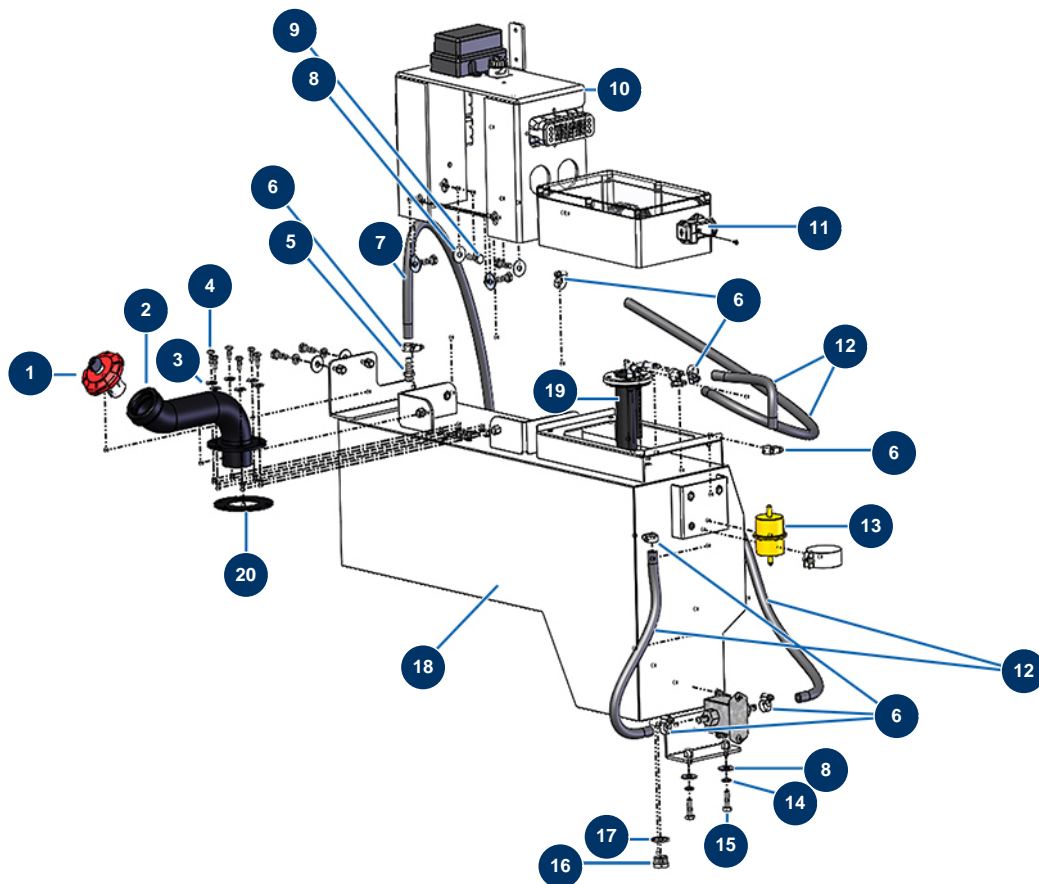


X-PRO D200 liquid screed machine - Fuel tank



Détails des pièces

Pos.	Référence	Désignation
1	13107	Red diesel tank cap with key - C.P 60
2	C23220	2
3	30291	ø 6 large washer
4	12069	THEF 6 x 16 screw
5	80094	1/4" corrugated outer threaded coupling Ø 10
6	20247	8-16 mm collar
6	20247	8-16 mm collar
6	20247	8-16 mm collar
6	20247	8-16 mm collar
7	50021	Paint hose Ø 10 x 18 by the metre
8	30292	ø 8 inox large washer
8	30292	ø 8 inox large washer
9	30273	THEF 8 x 20 screw

Pos.	Référence	Désignation
10	C23209	10
11	20585	
12	20083	
12	20083	
13	20667	
14	80269	Grower washer \varnothing 8
15	11544	THEF 8 x 25 screw
16	90239	1/2" low-pressure male plug
17	91032	Steel gasket for hollow screw with 1/2" lip
18	C23113	18
19	20241	Gasoil level gauge - length 350 mm - X-PRO D
20	20632	