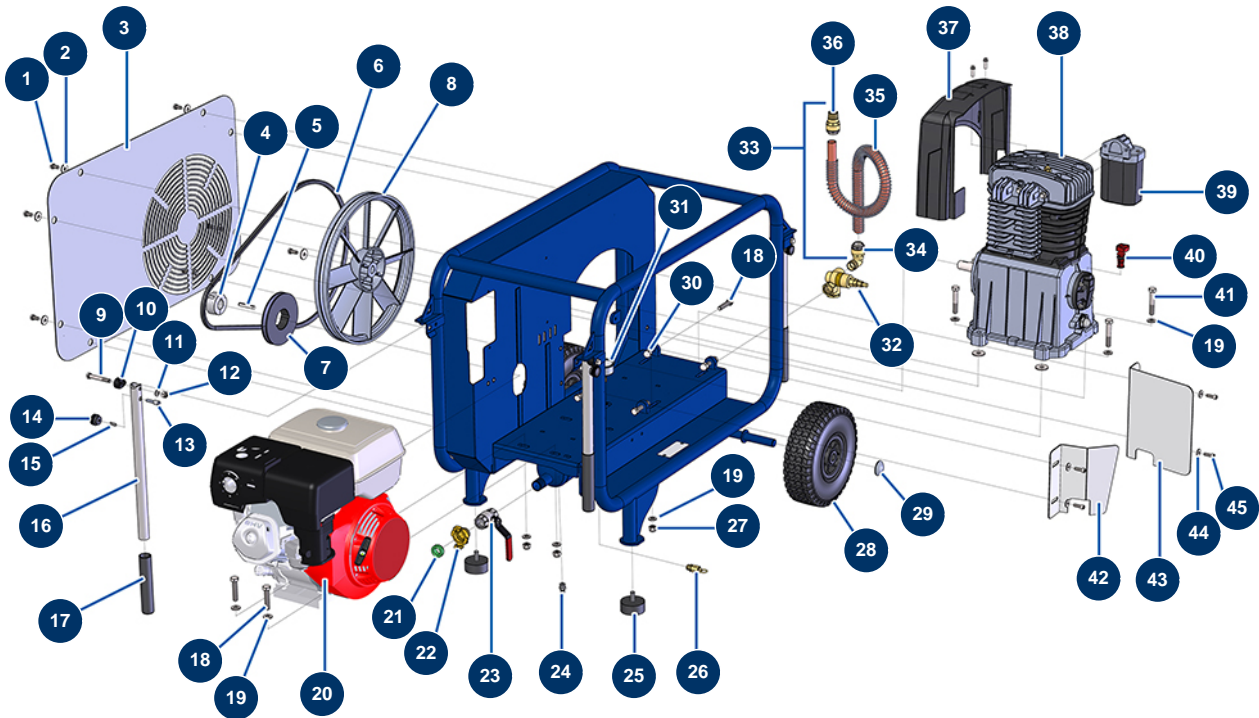


EUROPRO 50 TH compressor HONDA starting with launcher - General view



Détails des pièces

| Pos. | Référence | Désignation |
|------|-----------|--|
| 1 | 30295 | THEF 8 x 16 screw |
| 2 | 30292 | ø 8 inox large washer |
| 3 | 90772 | EUROPRO 45 and 50 compressor right grid |
| 4 | 90558 | Removable hub Ø 1" for 1610 |
| 5 | 90752 | 6,35 x 6,35 x 50 parallel key with round end |
| 6 | 90845 | 10 SPZ 1650 E45TH V-belt |
| 7 | 90557 | 10 pulley without hub Ø 140 |
| 8 | 90771 | EUROPRO 50 head pulley |
| 9 | 11799 | 8 x 60 THPF screw |
| 10 | 11466 | Plastic arm spacer |
| 11 | 80260 | ø 8 inox medium washer |
| 12 | 90127 | M 8 nylstop nut |
| 13 | 90179 | EUROPRO 30+,36 and 40 compressor arm latch |

| Pos. | Référence | Désignation |
|------|-----------|--|
| 14 | 20001 | EUROPRO 30+,36 and 40 compressor arm button |
| 15 | 60040 | Compressor trigger spring |
| 16 | 11449 | EUROPRO 50 et 100 compressor arm |
| 17 | 90255 | Arm handle for EUROPRO 24P, E50 and E100 |
| 18 | 30260 | THEF 10 x 50 screw |
| 18 | 30260 | THEF 10 x 50 screw |
| 19 | 80261 | ∅ 10 inox medium washer |
| 19 | 80261 | ∅ 10 inox medium washer |
| 19 | 80261 | ∅ 10 inox medium washer |
| 20 | 90618 | Petrol motor HONDA GX 270 QX-Q4-OH 9 HP |
| 21 | 11372 | High temperature quick-fit connector gasket |
| 22 | 70100 | 3/4" outer threaded quick fit coupling |
| 23 | 11382 | Red handle valve F3/4" x F3/4" |
| 24 | 30133 | 1/4" male compressor tank purge |
| 25 | 90196 | ∅ 60 x 25 M10 stop |
| 26 | 80097 | 1/4" certified outer threaded safety valve 11 bar |
| 27 | 60013 | M 10 nylstop nut |
| 28 | 80001 | Complete wheel 260 shaft of 20 for 6,8,14P, MPE 80 and 200, 7000z, 9000z |
| 29 | 90281 | ∅20 chromed clip |
| 30 | 90449 | M 10 cap nut |
| 31 | 80700 | Cylindrical oil 1/4 axial manometer 50 mm 0 to 16 bar |
| 32 | 90138 | 3/4" autonomous drain valve |
| 33 | 11291 | E 50-2 compressor outlet air hose |
| 34 | 11383 | Elbow push-in connector for EUROPRO 50-3, 100-3 compressor hose |
| 35 | 10688 | Spring for E100 steel compressor outlet pipe |
| 36 | 11198 | Push-in connector for EUROPRO 50-3, 100-3 compressor hose |
| 37 | 90132 | EUROPRO 50 head cover |
| 38 | 90458 | EUROPRO 50 compression head |
| 39 | 91390 | EUROPRO 50 complete air filter from 01/09/04 |
| 40 | 90841 | EUROPRO 50 (BK119) and 100 (BK20) compressor filler plug |
| 41 | 12770 | 10 x 60 THPF screw |
| 42 | 11231 | E50 compressor right deflector |
| 43 | 11232 | E50 compressor left deflector on air outlet side |
| 44 | 30291 | ∅ 6 large washer |

| Pos. | Référence | Désignation |
|------|-----------|------------------------------------|
| 45 | 90996 | 6 x 20 inox cylindrical head screw |