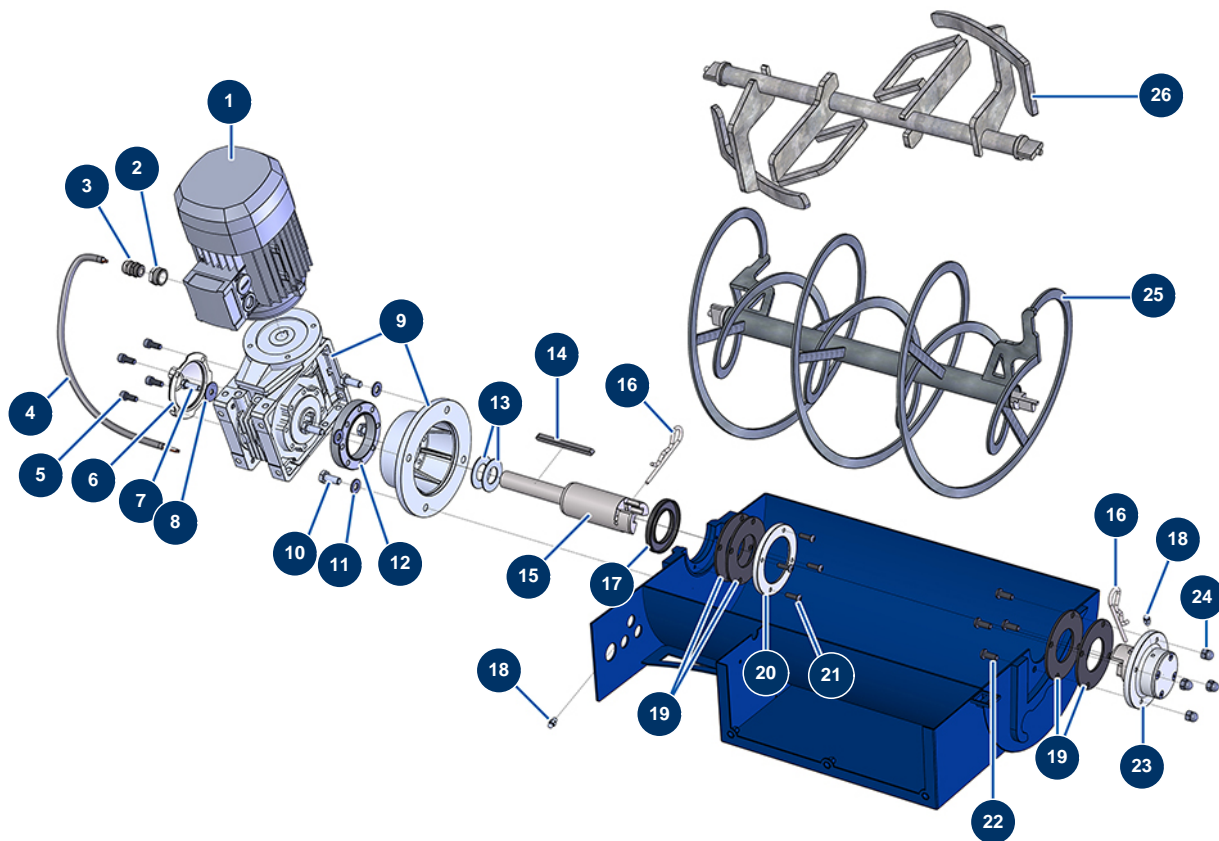


## MIXPRO 80 CLASSIC sequential Mixer - Transmission



### Détails des pièces

Pos.	Référence	Désignation
1	30043	Electric motor 1,1 kW - T80 - B14 - 1400 rpm - 400V
2	80446	Cable gland reduction M 25-11
3	30082	Nickel plated watertight cable gland of 11
4	90606	Shielded cable 4 x 1,5 by the metre
5	12249	3 x 12 cylindrical head screw
6	90287	14 P2 & 24 P gear reducer plastic cover
7	11544	THEF 8 x 25 screw
8	80263	Very large inox washer Ø 8
9	11513	Speed reducer 90° - T63 - R30 - B14/T80
10	30257	THEF 10 x 25 screw
11	80261	ø 10 inox medium washer
12	11524	Bonfiglioli gear-reducer spacer
13	C20657	CP30 mixer wedging washer

Pos.	Référence	Désignation
14	90750	8 x 7 x 100 parallel key with round end for 24P et PT
15	M10063	COMPACT PRO IDEAL mixed rapid transmission shaft
16	12157	Beta pin Ø 4.5 x 70
16	12157	Beta pin Ø 4.5 x 70
17	70107	Spi seal 50 x 80 x 8 for 24P,24PT, MPE300, COMPACT-PRO 30
18	60012	M6 straight lubricator
18	60012	M6 straight lubricator
19	12042	C.P mixer rapid transmission gasket
19	12042	C.P mixer rapid transmission gasket
20	M10065	Support washers for COMPACT-PRO mixer gasket
21	12110	6 x 20 inox cylindrical pan head screw
22	12111	8 x 20 inox cylindrical pan head screw
23	M07013	CP MIXER complete transmission bearing
24	30253	M 8 Inox cap nut
25	C20233	COMPACT-PRO mixer propeller
26	C20260	Paddle mixing propeller