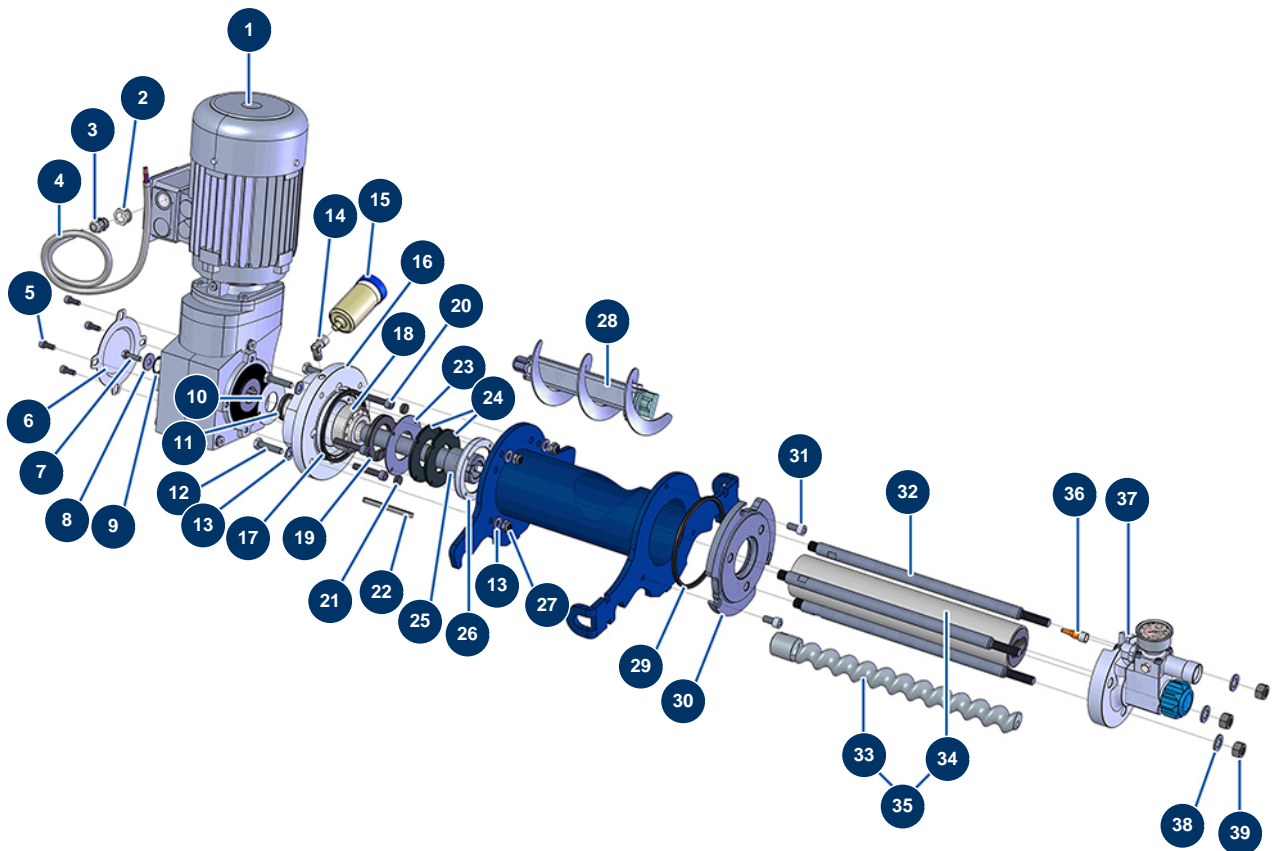


JETPRO 120-7 complete atomizer - Transmission



Détails des pièces

Pos.	Référence	Désignation
1	12787	Geared motor 3 kW - T100 - R6,67 - 1400 rpm - 400V
2	80446	Cable gland reduction M 25-11
3	30040	Nickel plated watertight cable gland of 11 CEM
4	12774	Shielded cable 4 x 2,5 by the metre
5	90157	M6 x 16 cylindrical head screw - CP 60
6	C20979	Reduction gear metallic cover for JETPRO 120
7	11544	THEF 8 x 25 screw
8	30293	ø 10 inox large washer
9	13362	Ø 30 inner circlip
10	C21713	JETPRO spi gasket holding washer Ø 79,5
11	13755	Spi seal 35 x 47 x 7
12	12441	THEF 10 x 45 screw
13	80261	ø 10 inox medium washer

Pos.	Référence	Désignation
13	80261	ø 10 inox medium washer
14	30121	90° low-pressure elbow 1/4 MaleC x 1/4 FemaleD
15	90639	Automatic greaser
16	M10419	NORD Motor spacer flange for JETPRO 120
17	12506	4-lobes seal for JETPRO 80 flange
18	13660	35 x 80 x 31 thrust bearing for JETPRO
19	70107	Spi seal 50 x 80 x 8 for 24P,24PT, MPE300, COMPACT-PRO 30
20	13532	10 x 55 cylindrical head screw
21	13683	Rubber pad ø 17 Thickness 6 mm
22	90750	8 x 7 x 100 parallel key with round end for 24P et PT
23	C20822	Ø 105 spi seal holding washer for JETPRO
24	12507	Bottom of tank seal for JETPRO 80
25	M10348	Drive shaft for JETPRO 120 engine NORD
26	M10222	Flange seal for JETPRO 80 & 120
27	13981	M 10 nylstop inox nut
28	14868	JETPRO 120-7 reinforced connecting rod
29	12815	4-lobes seal for JETPRO / JETBAG 120 flange
30	M10350	JETPRO 120 flange
31	80668	10 x 20 cylindrical head screw
32	M10352	Fastening tie rod for JETPRO 120 and JETBAG 120
33	MI7009107700	EUROPRO JET 2 chromed pump rotor with bayonet head
34	MI3F00529100	EUROPRO JET 2-80SH pump stator
35	30791	EUROPRO JET 2 pump rotor/stator kit
36	12409	M12 straight female connector with 2m cable
37	14907	JETPRO 120-7 & 130-7 complete aluminium pump head
38	30286	ø 14 inox narrow washer
39	10036	M 14 nut