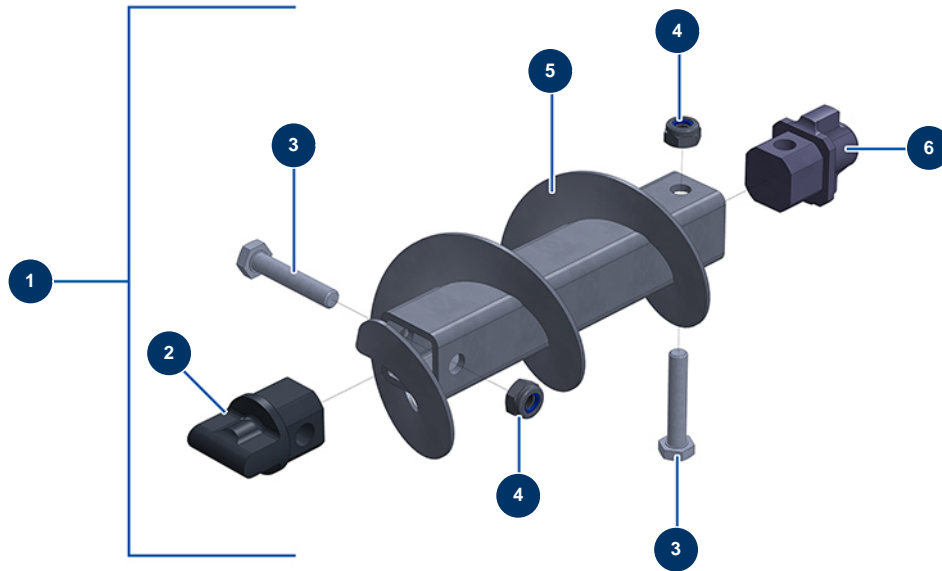


## JETPRO 160 complete atomizer - 400V TETRA - Reinforced transmission rod



### Détails des pièces

| Pos. | Référence | Désignation  |
|------|-----------|--|
| 1    | 14869     | JETPRO 160 reinforced connecting rod   |
| 2    | M10485    | Bearing pin for JETPRO 160 strengthened connecting rod - rotor side thick.13 |
| 3    | 13587     | THEF M10 x 55 screw  |
| 3    | 13587     | THEF M10 x 55 screw  |
| 4    | 13981     | M 10 nylstop inox nut  |
| 4    | 13981     | M 10 nylstop inox nut  |
| 5    | C21474    | Strengthened connecting rod for JETPRO, JETBAG 160                           |
| 6    | M10489    | JETPRO 120-160 motor side ball joint   |