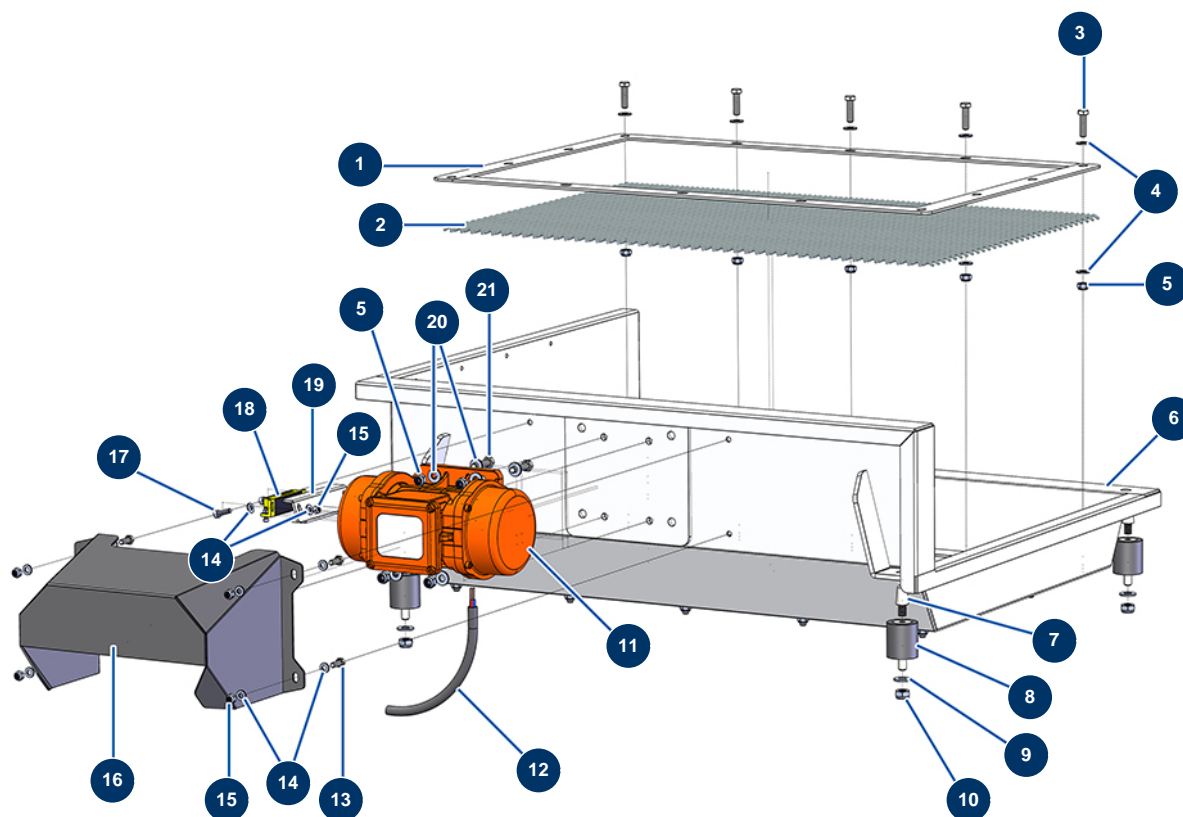


COMPACT-PRO 100 Tri liquid floor screed machine - Vibrating strainer



Détails des pièces

Pos.	Référence	Désignation
1	C22873	1
2	C22883	
3	30205	THEF 8 x 30 screw
4	30292	ø 8 inox large washer
5	13980	M 8 nylstop inox nut
5	13980	M 8 nylstop inox nut
6	C22872	6
7	20052	Conical pin 24 x 12/16 mm M10
8	20172	Silentbloc ø 40 x 45 M-F10
9	80261	ø 10 inox medium washer
10	13981	M 10 nylstop inox nut
11	20024	230/400V MVE200 three-phased single vibrator
12	30018	H07RNF 4G1.5 electrical cable by the metre

Pos.	Référence	Désignation
13	12069	THEF 6 x 16 screw
14	80259	Ø 6 medium washer
14	80259	Ø 6 medium washer
15	14217	M 6 nylstop inox nut
15	14217	M 6 nylstop inox nut
16	C22874	16
17	90996	6 x 20 inox cylindrical head screw
18	12120	Grid safety sensor for JETMIX, MIXPRO 14, 70 & 100
19	C23008	19
20	80260	ø 8 inox medium washer
21	11545	THEF 8 x 35 inox screw