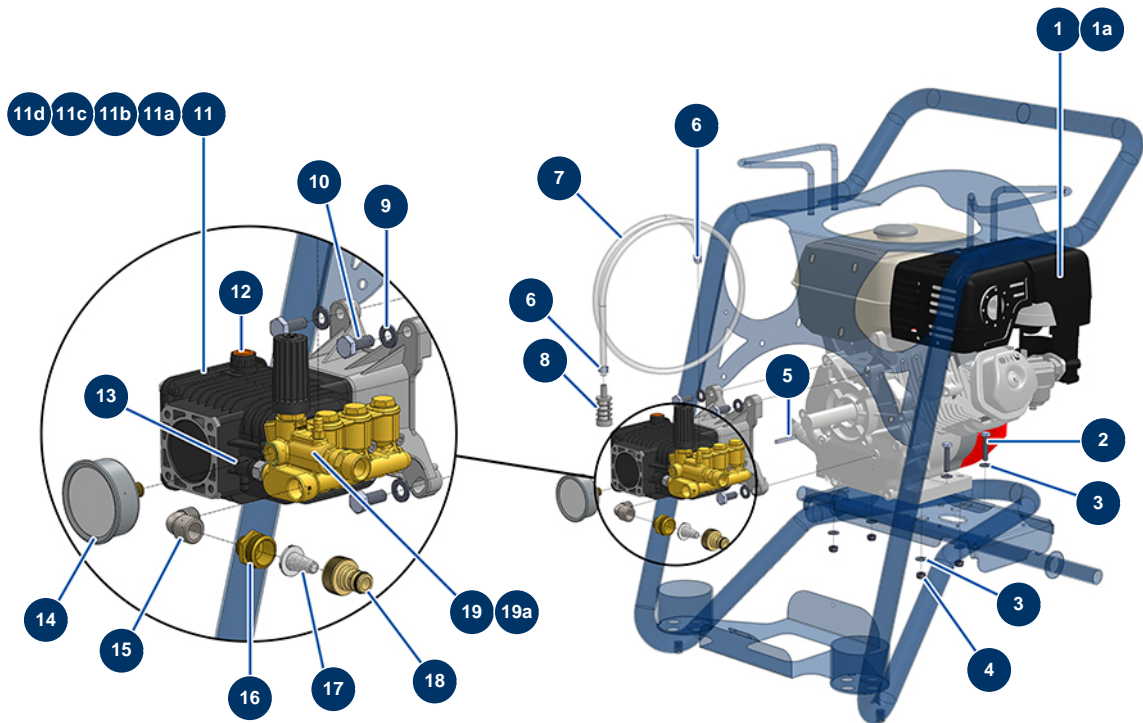


EUROPOLAV 15-200 TH.2 HONDA washer - Motorization



Détails des pièces

| Pos. | Référence | Désignation |
|------|-----------|--|
| 1 | 10037 | Petrol motor HONDA GX 390K1 QX-Q4-OH 13 HP |
| 1a | 14685 | VANGUARD 14 HP thermal motor |
| 2 | 30250 | THEF 8 x 40 screw |
| 3 | 80260 | ∅ 8 inox medium washer |
| 3 | 80260 | ∅ 8 inox medium washer |
| 4 | 13980 | M 8 nylstop inox nut |
| 5 | 90752 | 6,35 x 6,35 x 50 parallel key with round end |
| 6 | 60031 | Ear clamp 11 x 13 |
| 6 | 60031 | Ear clamp 11 x 13 |
| 7 | 90541 | Clear air hose ∅ 6 by the metre |
| 8 | 90310 | Detergent vacuum strainer |
| 9 | 30280 | ∅ 10 inox narrow washer |
| 10 | 30257 | THEF 10 x 25 screw |

| Pos. | Référence | Désignation |
|------|-----------|--|
| 11 | 90737 | 15-litre pump 275 bar with 3,400 rpm bypass |
| 11a | AN2186 | RSV 12-180 pump valves kit |
| 11b | AN2187 | RSV 12-180, 15-200, 15-230 pump pistons kit |
| 11c | AN2188 | RSV 12-180, 15-200, 15-230 pump oil seal gaskets kit |
| 11d | AN2189 | RSV 12-180, 15-200, 15-230 pump water seal gaskets kit |
| 12 | AN880130 | 10-130 ECI,12-180, 15-200, 15-230 & 18-200 washer pump oil gauge |
| 13 | AN2761380 | RSV 12-180, 15-200, 15-230 pump thermostatic valve |
| 14 | 90433 | 63 mm oil manometer 1/4 conical 0 to 400 bar |
| 15 | 30120 | Elbow BP 90° 3/8 MaleC x 3/8 FemaleD |
| 16 | 80566 | 3/8" MaleD x 3/4" MaleD low-pressure nipple |
| 17 | 80128 | Filter for 3/4" brass quick connector |
| 18 | 80124 | Inner threaded 3/4" quick connector |
| 19 | AN2769225 | RSV 15-200, 15-230 pump pre-fitted head |
| 19a | AN42128 | RSV 12-180, 15-200, 15-230 pump integrated bypass repair kit |