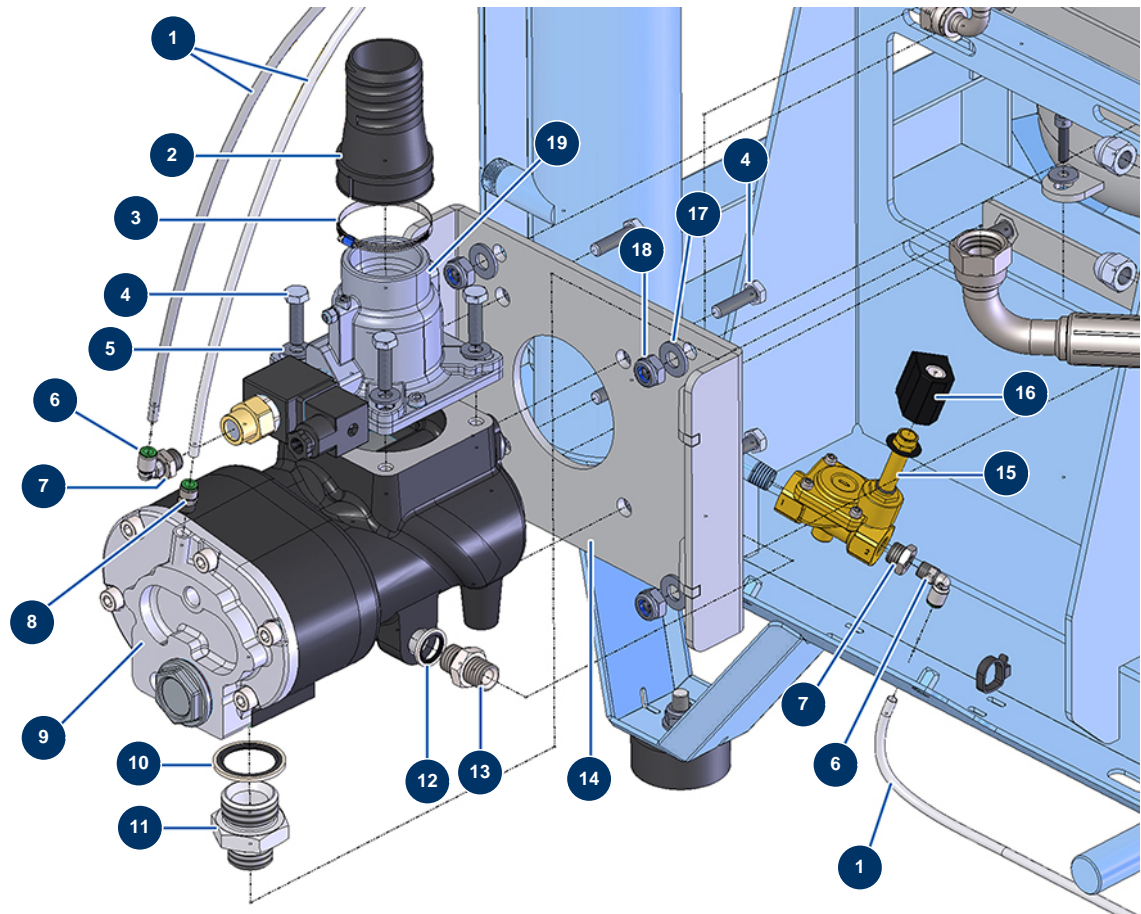


EUROPRO 150 TH Honda compressor - Compression head



Détails des pièces

| Pos. | Référence | Désignation |
|------|-----------|---|
| 1 | 30403 | Calibrated polyurethane tube \varnothing 4 x 6 black by the metre |
| 1 | 30403 | Calibrated polyurethane tube \varnothing 4 x 6 black by the metre |
| 2 | M10693 | |
| 3 | 30401 | Worm gear clamp 38 x 50 x 9 |
| 4 | 11544 | THEF 8 x 25 screw |
| 4 | 11544 | THEF 8 x 25 screw |
| 5 | 80260 | \varnothing 8 inox medium washer |
| 6 | 30124 | Corrugated Legris coupling M1/8" \varnothing 6 |
| 6 | 30124 | Corrugated Legris coupling M1/8" \varnothing 6 |
| 7 | 90240 | 1/4" MaleC x 1/8" FemaleD low-pressure reduction |
| 7 | 90240 | 1/4" MaleC x 1/8" FemaleD low-pressure reduction |
| 8 | 91038 | Legris straight coupling M1/8 \varnothing 6 |
| 9 | 14560 | 9 |

| Pos. | Référence | Désignation |
|------|-----------|---|
| 10 | 12572 | Steel gasket for 1" hollow screw with lip |
| 11 | 12569 | 3/4" MaleD x 1" MaleD high-pressure nipple |
| 12 | 91031 | Steel gasket for hollow screw with 3/8 lip |
| 13 | 80276 | 3/8" MaleD x 3/8" MaleC high-pressure nipple |
| 14 | C22800 | 14 |
| 15 | 13279 | Solenoid valve alone N.O 1/4.F |
| 16 | 14199 | Water meter solenoid valve 12V DC coil - CP 60 & 80 |
| 17 | 80261 | ø 10 inox medium washer |
| 18 | 13981 | M 10 nylstop inox nut |
| 19 | 14562 | 19 |