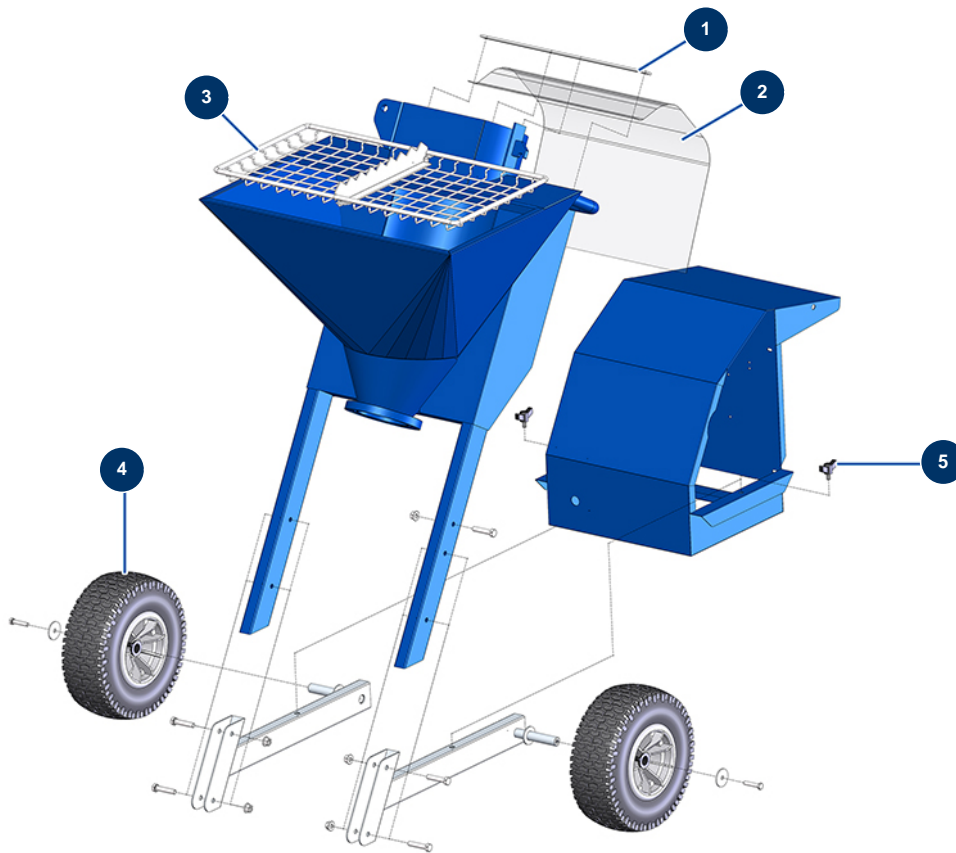


MIXPRO 28 - 2,2 kW complete plaster continuous mixing machine - Chassis



Détails des pièces

Pos.	Référence	Désignation
1	MI4023001800	MIXPRO 28 compressor protection fixing piece
2	MI4920001010	MIXPRO 28 compressor protection plastic
3	MI7017506100	MIXPRO 28, SPRINTER & MOSQUITO safety grid
4	12319	Complete wheel 320 with axle of 20
5	MI3T01505001	Mixer black Eye bolt diam 8