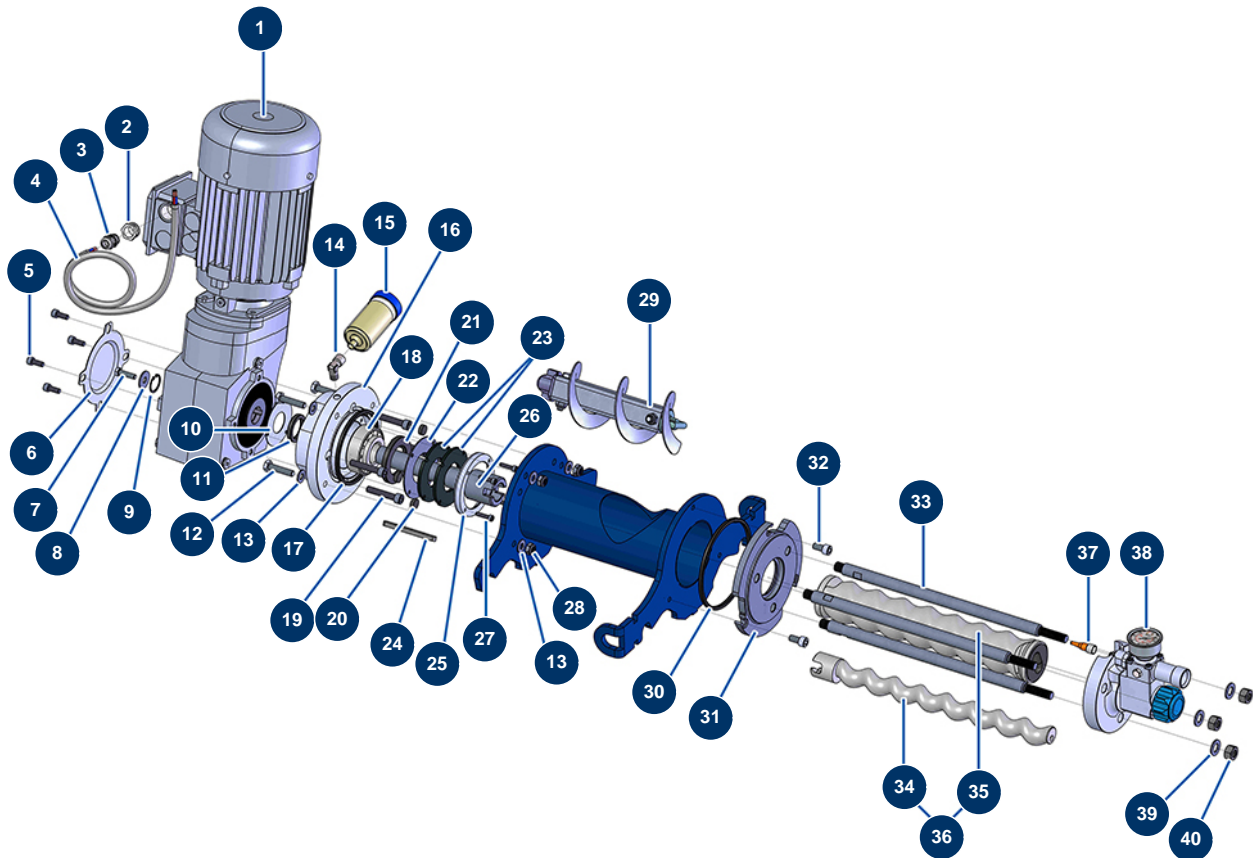


JETPRO 130-7 complete atomizer - 400V TETRA - Transmission



Détails des pièces

Pos.	Référence	Désignation
1	12787	Geared motor 3 kW - T100 - R6,67 - 1400 rpm - 400V
2	80446	Cable gland reduction M 25-11
3	30040	Nickel plated watertight cable gland of 11 CEM
4	12774	Shielded cable 4 x 2,5 by the metre
5	90157	M6 x 16 cylindrical head screw - CP 60
6	C20979	Reduction gear metallic cover for JETPRO 120
7	11544	THEF 8 x 25 screw
8	30293	ø 10 inox large washer
9	13362	Ø 30 inner circlip
10	C21713	JETPRO spi gasket holding washer Ø 79,5
11	13755	Spi seal 35 x 47 x 7
12	12441	THEF 10 x 45 screw
13	80261	ø 10 inox medium washer

Pos.	Référence	Désignation
13	80261	ø 10 inox medium washer
14	30121	90° low-pressure elbow 1/4 MaleC x 1/4 FemaleD
15	90639	Automatic greaser
16	M10419	NORD Motor spacer flange for JETPRO 120
17	12506	4-lobes seal for JETPRO 80 flange
18	13660	35 x 80 x 31 thrust bearing for JETPRO
19	13532	10 x 55 cylindrical head screw
20	13683	Rubber pad ø 17 Thickness 6 mm
21	70107	Spi seal 50 x 80 x 8 for 24P,24PT, MPE300, COMPACT-PRO 30
22	C20822	Ø 105 spi seal holding washer for JETPRO
23	12507	Bottom of tank seal for JETPRO 80
24	90750	8 x 7 x 100 parallel key with round end for 24P et PT
25	M10222	Flange seal for JETPRO 80 & 120
26	M10348	Drive shaft for JETPRO 120 engine NORD
27	80614	6 x 25 inox cylindrical head screw
28	13981	M 10 nylstop inox nut
29	14868	JETPRO 120-7 reinforced connecting rod
30	12815	4-lobes seal for JETPRO / JETBAG 120 flange
31	M10350	JETPRO 120 flange
32	80668	10 x 20 cylindrical head screw
33	M10352	Fastening tie rod for JETPRO 120 and JETBAG 120
34	MI7009106900	EUROPRO JET 5 chromed pump rotor with bayonet head
35	MI3F00560600	EUROPRO JET 5 BOOSTER pump stator
36	40041	EUROPRO JET 5 BOOSTER pump rotor/stator kit
37	12409	M12 straight female connector with 2m cable
38	14907	JETPRO 120-7 & 130-7 complete aluminium pump head
39	30286	ø 14 inox narrow washer
40	10036	M 14 nut