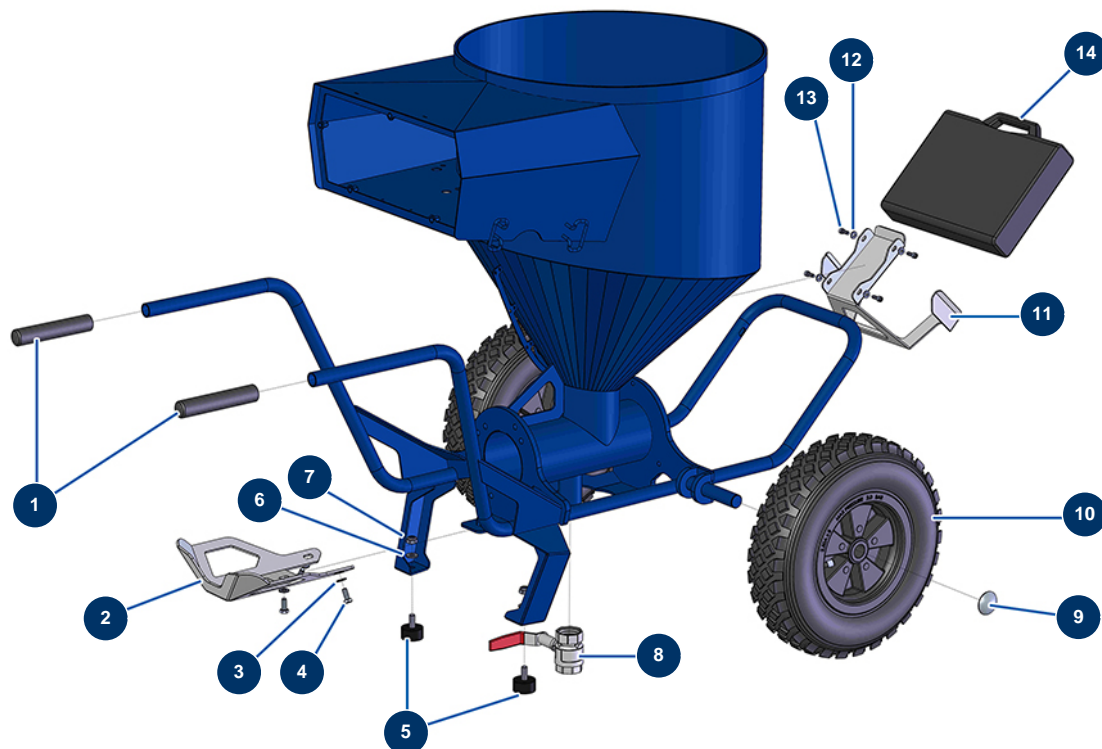


## JETPRO 100-7 complete atomizer - Chassis



### Détails des pièces

| Pos. | Référence | Désignation   |
|------|-----------|---|
| 1    | 90255     | Arm handle for EUROPRO 24P, E50 and E100                |
| 2    | C22683    | 2   |
| 3    | 80260     | ø 8 inox medium washer                                  |
| 4    | 30273     | THEF 8 x 20 screw                                       |
| 5    | 30145     | Ø 40 x 20 M10 stop                                      |
| 6    | 80261     | ø 10 inox medium washer                                 |
| 7    | 13981     | M 10 nylstop inox nut                                   |
| 8    | 14584     | EUROPRO DROPPRO 30P drain valve                         |
| 9    | 90282     | Ø25 chromed clip  |
| 10   | 80003     | Ø400 complete wheel with shaft of 25 for 100TH, MPE 300 |
| 11   | C22709    | 11  |
| 12   | 80259     | Ø 6 medium washer                                       |
| 13   | 90157     | M6 x 16 cylindrical head screw - CP 60                  |

| Pos. | Référence | Désignation          |
|------|-----------|----------------------|
| 14   | 90603     | Empty case for lance |