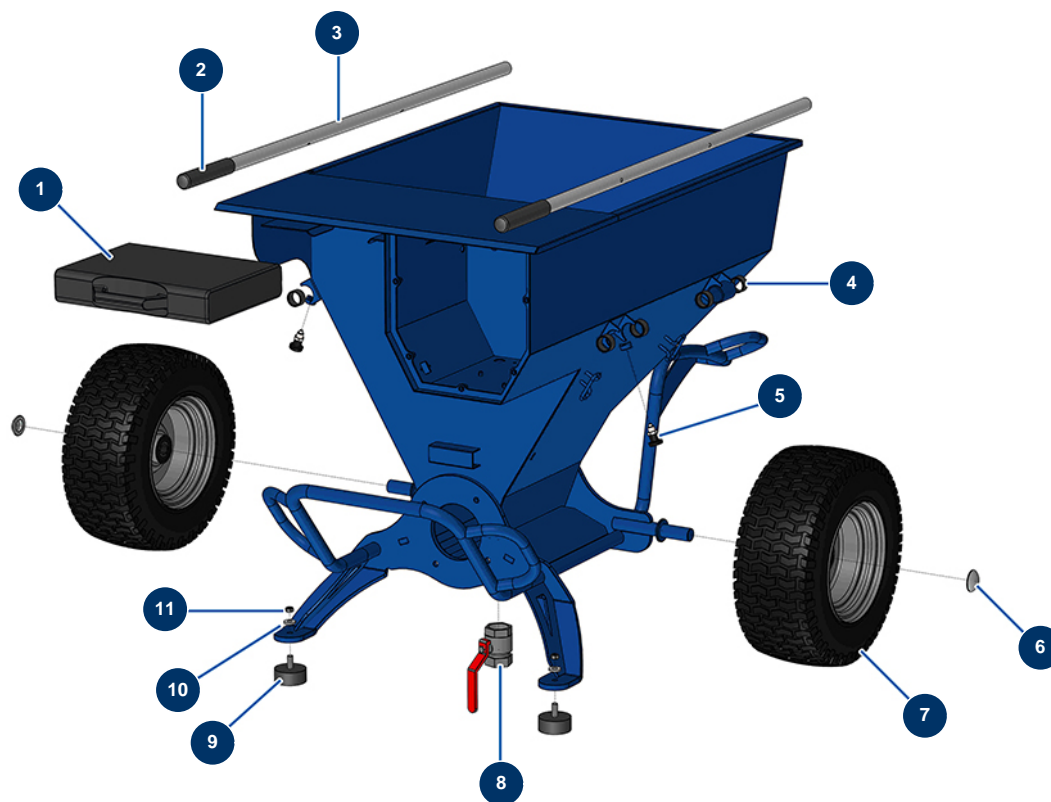


JETPRO 160 complete atomizer - 400V TETRA - Chassis



Détails des pièces

Pos.	Référence	Désignation
1	90603	Empty case for lance
2	90255	Arm handle for EUROPRO 24P, E50 and E100
3	C21327	COMPACT-PRO 30 to 55 machine arm from March 2020
4	13453	Cylindrical bearing 26/30 x 16
5	13454	M12 X 1.5 indexage pin
6	90282	Ø25 chromed clip
7	80372	Complete Ø410 wheel with bearing - axle of 25
8	30152	Drain valve for EUROPRO 24P and MPE 300
9	90196	Ø 60 x 25 M10 stop
10	80261	ø 10 inox medium washer
11	60013	M 10 nylstop nut