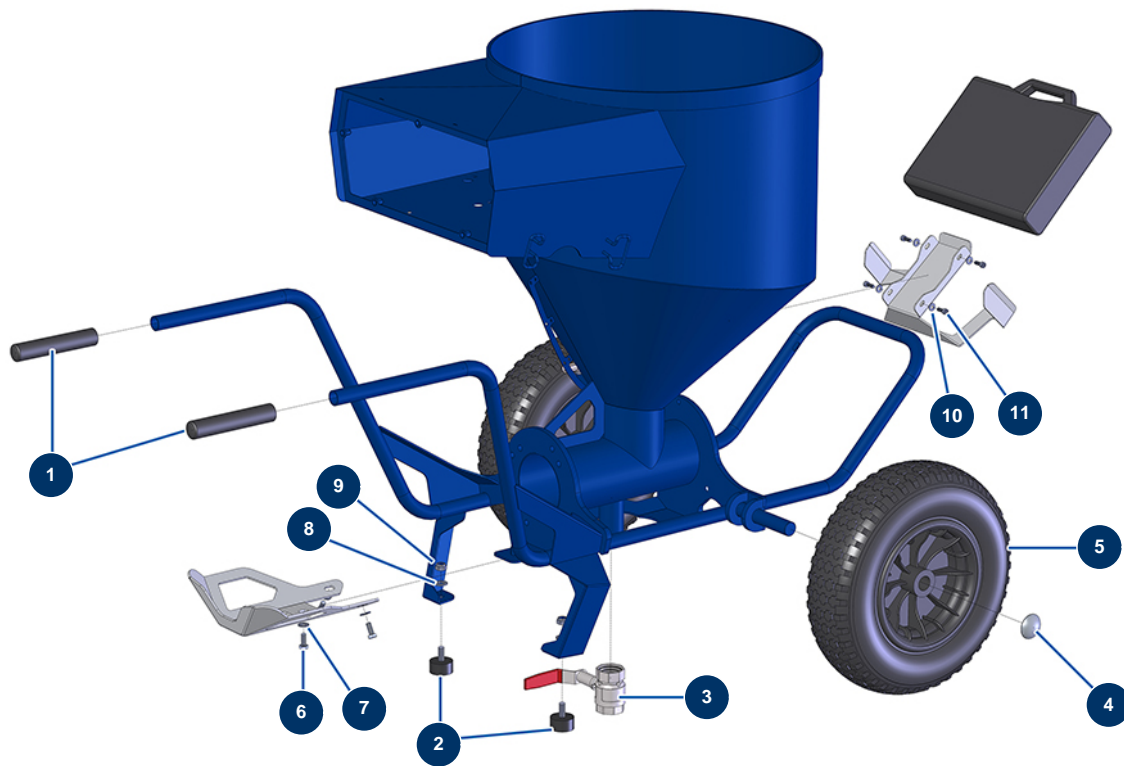


DROPPRO 30P spraying machine - Chassis



Détails des pièces

| Pos. | Référence | Désignation |
|------|-----------|---|
| 1 | 90255 | Arm handle for EUROPRO 24P, E50 and E100 |
| 2 | 30145 | Ø 40 x 20 M10 stop |
| 3 | 14584 | EUROPRO DROPPRO 30P drain valve |
| 4 | 90282 | Ø25 chromed clip |
| 5 | 80003 | Ø400 complete wheel with shaft of 25 for 100TH, MPE 300 |
| 6 | 30273 | THEF 8 x 20 screw |
| 7 | 80260 | ø 8 inox medium washer |
| 8 | 80261 | ø 10 inox medium washer |
| 9 | 13981 | M 10 nylstop inox nut |
| 10 | 80259 | Ø 6 medium washer |
| 11 | 90996 | 6 x 20 inox cylindrical head screw |