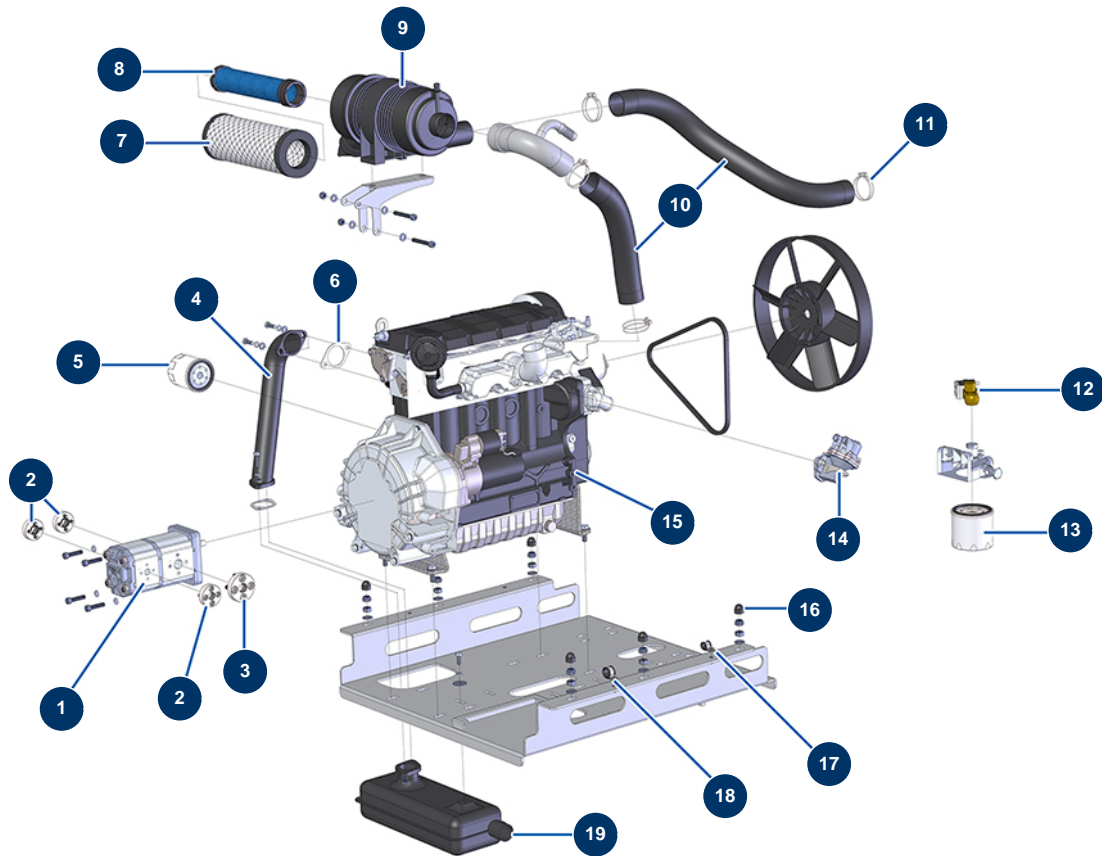


## X-PRO D80 spraying machine - Engine



### Détails des pièces

Pos.	Référence	Désignation
1	14125	Double hydraulic pump 20 + 8 cc.
2	14517	4 hole inner threaded flange 3/8" BSP centre distance 30 + M6 screw
2	14517	4 hole inner threaded flange 3/8" BSP centre distance 30 + M6 screw
3	14518	4 hole inner threaded flange 1/2" BSP centre distance 40 + M8 screw
4	C20362	Exhaust tube 3-cylinder diesel CP60 V17
5	30832	KDW1404 motor oil filter
6	30793	LOMBARDINI motor exhaust pipe gasket - C.P 60
7	30762	Donaldson filter standard air cartridge for KOHLER KDW 1003 & 1404 motors
8	30763	Donaldson filter safety air cartridge for KOHLER KDW 1003 & 1404 motors
9	30761	Complete Donaldson cyclonic air filter for KOHLER KDW 1003 & 1404 engine
10	12538	PVC GAS sheath Ø 50 by the metre - C.P 60
11	12723	Double wire clamp ø 56 x 65 - CP 60
12	30769	LOMBARDINI 27 hp diesel filter solenoid valve - C.P 60

Pos.	Référence	Désignation
13	80333	27 hp LOMBARDINI motor diesel filter
14	30748	27 hp LOMBARDINI diesel priming pump - C.P 60
15	13971	Diesel motor KOHLER KDW 1404 gear
16	12794	M10 screw black plastic cover - CP 60
17	13951	ø 12 cable collar - CP 60
18	13179	ø 20 cable collar - CP 60
19	30539	CP 60 diesel motor exhaust