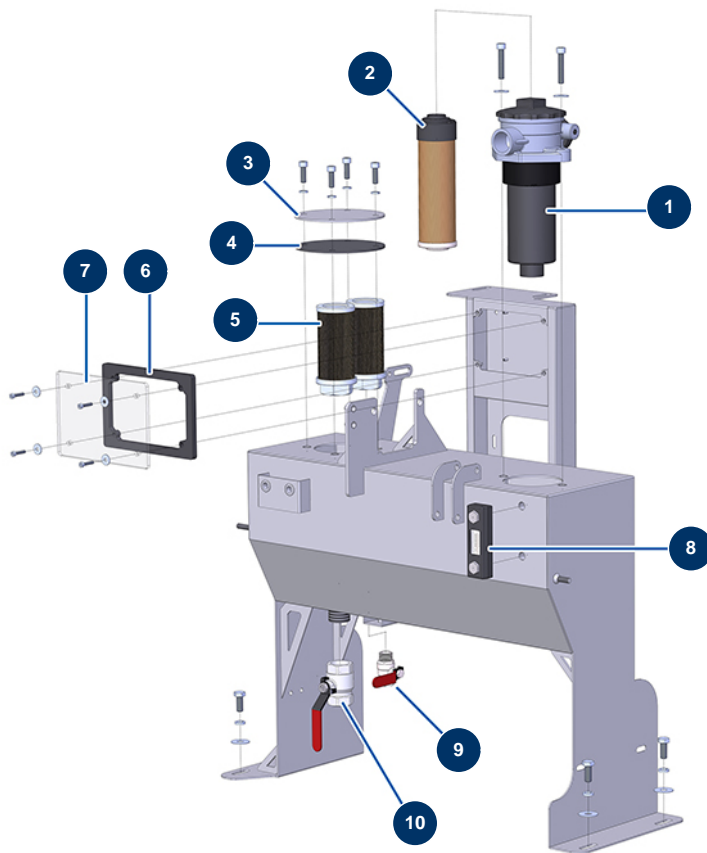


## X-PRO D80 spraying machine - Hydraulic tank



### Détails des pièces

Pos.	Référence	Désignation
1	12327	Hydraulic oil return complete filter - JET 750
2	12351	Return filter cartridge - C.P 60
3	C20659	Tank cover
4	12780	Hydraulic tank gasket Ø 140 Thickness 3 mm - C.P 60
5	12328	1" inner threaded suction strainer - JET 750 & C.P 60
6	13018	Safety card box gasket - C.P 60
7	13017	Safety card box holder - C.P 60
8	12326	Visual level of hydraulic tank - CP 60
9	90023	Red handle valve M1/2" x F1/2"
10	70031	Drain valve for EUROPRO 4-6-8-14 P, MPE, AG, 7000z, 9000z