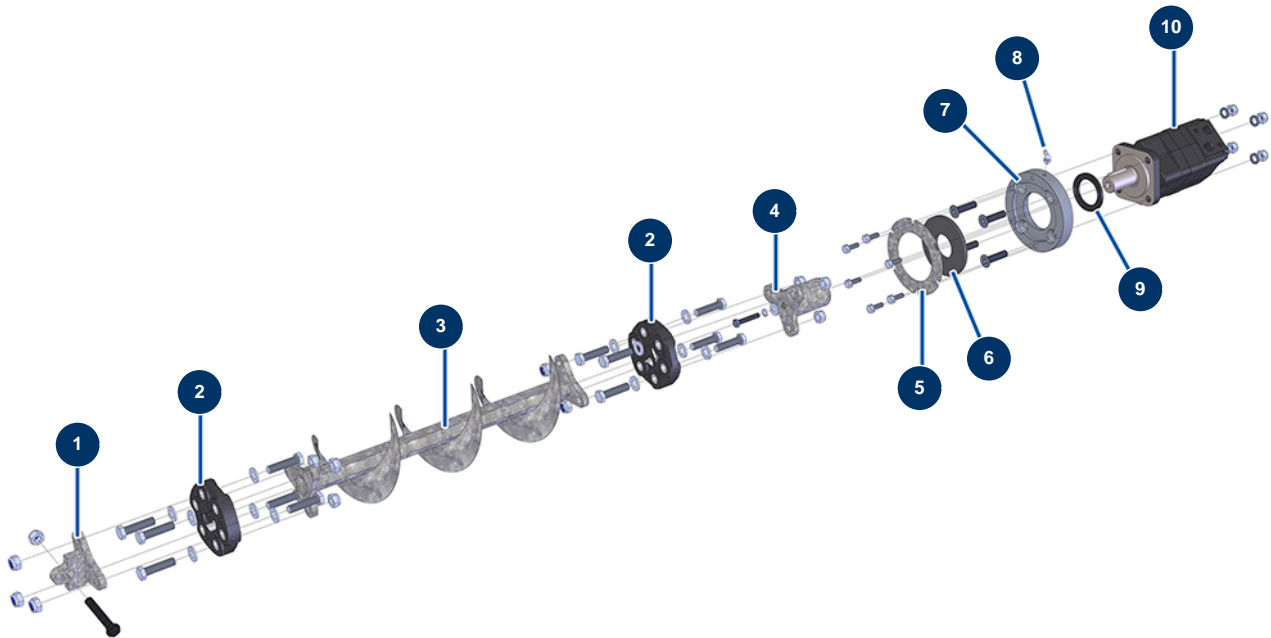


## X-PRO D80 spraying machine - Transmission (up to 03/2023)



### Détails des pièces

Pos.	Référence	Désignation
1	C20663	Worm gear stator link coupling - CP 60
2	12484	Transmission shaft elastic coupling - C.P 60
2	12484	Transmission shaft elastic coupling - C.P 60
3	C20508	X-PRO D60 2017 tank bottom drive shaft
4	C20701	Motor/hopper coupling - C.P 60
5	C20389	Reinforcement washer - CP60
6	12511	Tank base gasket - C.P 60
7	M10332	H25 hopper motor bearing - C.P 60
8	12397	45° x M6 greaser - C.P 60
9	12825	Spi seal 50 x 72 x 6 - C.P 60
10	13546	Hydraulic motor BMS 160 hopper - CP 60