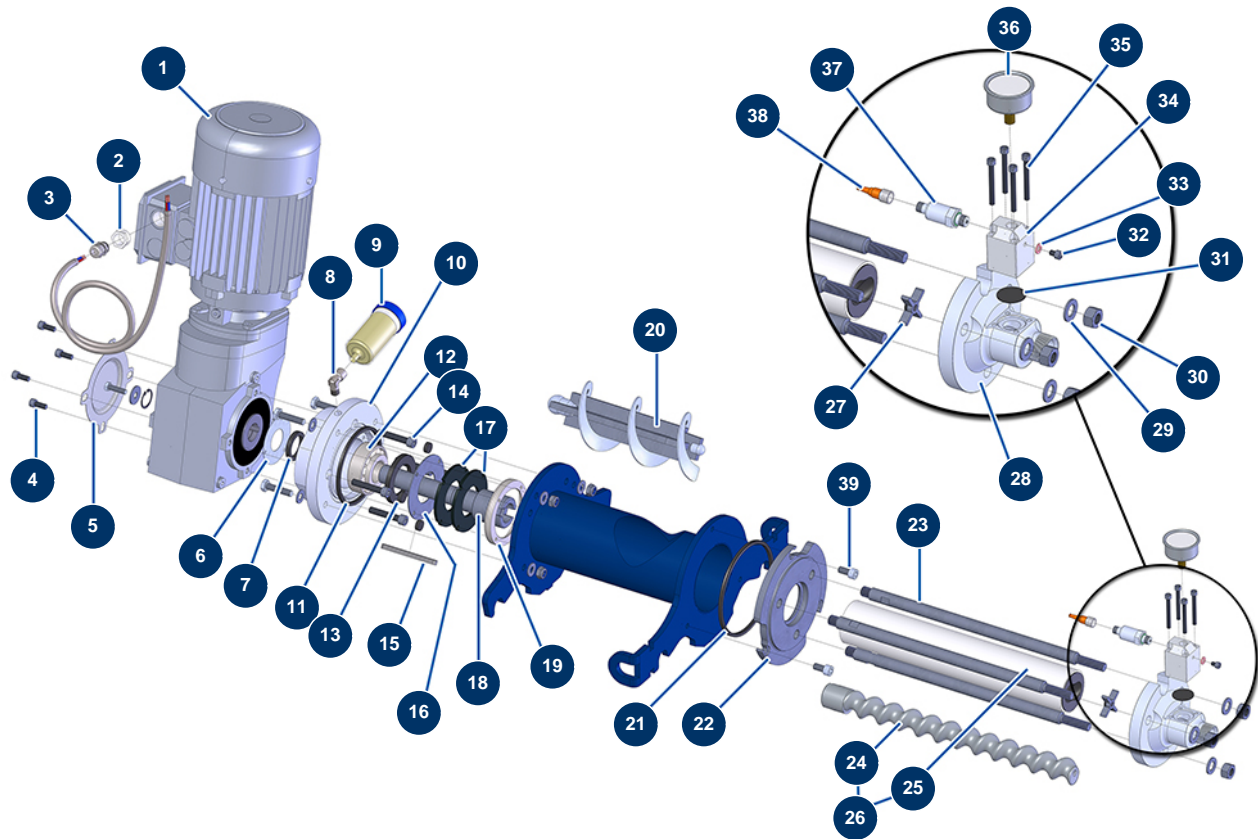


## JETPRO 120-7 complete atomizer - Transmission (up to 06/2021)



### Détails des pièces

Pos.	Référence	Désignation
1	12787	Geared motor 3 kW - T100 - R6,67 - 1400 rpm - 400V
2	80446	Cable gland reduction M 25-11
3	30040	Nickel plated watertight cable gland of 11 CEM
4	90157	M6 x 16 cylindrical head screw - CP 60
5	C20979	Reduction gear metallic cover for JETPRO 120
6	C21713	JETPRO spi gasket holding washer Ø 79,5
7	13755	Spi seal 35 x 47 x 7
8	30121	90° low-pressure elbow 1/4 MaleC x 1/4 FemaleD
9	90639	Automatic greaser
10	M10419	NORD Motor spacer flange for JETPRO 120
11	12506	4-lobes seal for JETPRO 80 flange
12	13660	35 x 80 x 31 thrust bearing for JETPRO
13	70107	Spi seal 50 x 80 x 8 for 24P,24PT, MPE300, COMPACT-PRO 30

Pos.	Référence	Désignation
14	80614	6 x 25 inox cylindrical head screw
15	90750	8 x 7 x 100 parallel key with round end for 24P et PT
16	C20822	Ø 105 spi seal holding washer for JETPRO
17	12507	Bottom of tank seal for JETPRO 80
18	M10348	Drive shaft for JETPRO 120 engine NORD
19	M10222	Flange seal for JETPRO 80 & 120
20	C20826	Connecting rod for JETPRO and JETBAG 120
21	12815	4-lobes seal for JETPRO / JETBAG 120 flange
22	M10350	JETPRO 120 flange
23	M10352	Fastening tie rod for JETPRO 120 and JETBAG 120
24	MI7009050200	EUROPRO JET 3 chromed pump rotor with bayonet head
25	MI3F00503011	EUROPRO JET 3-80SH pump stator
26	30629	EUROPRO JET 3 pump rotor/stator kit
27	M10770	Ø48 pump head crosspiece
28	M10353	Stator flange for JETPRO 120
29	30286	ø 14 inox narrow washer
30	10036	M 14 nut
31	12913	Pump nose manometer membrane for JETPRO 80, 120, JETBAG 120
32	12625	6 x 8 cylindrical head screw
33	12765	Copper seal for JETPRO 80 pump nose
34	M10351	Flange cap for JETPRO 120
35	12820	6 x 55 cylindrical head screw
36	12623	50 mm axial manometer 1/4" conical - 0 to 160 bar
37	12560	250 bar pressure sensor for JETPRO and JETBAG 120
38	12409	M12 straight female connector with 2m cable
39	80668	10 x 20 cylindrical head screw