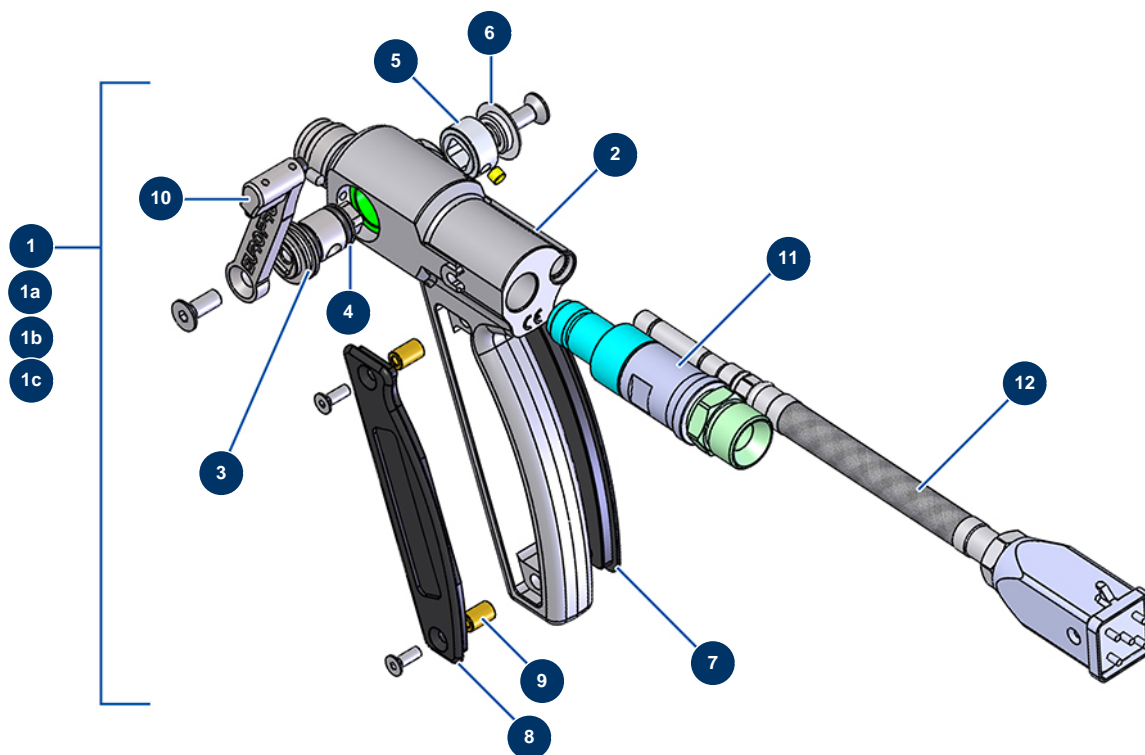


MINIJET 80 complete atomizer - Spray-gun (until 12/2020)



Détails des pièces

Pos.	Référence	Désignation
1	13176	Complete inox JETPRO spray-gun without nozzle holder
1a	13168	Complete JETPRO spray-gun, wireless remote control without nozzle holder & nozzle
1b	12549	Complete JETPRO spray-gun without nozzle holder
1c	M07022	JETPRO spray-gun without sensor, nozzle and nozzle holder
2	M10290	JETPRO spray-gun body
3	14222	Complete flue block/jacket for JETPRO spray-gun
4	11303	12 x 2 o-ring
5	M10240	JETPRO spray-gun detection stop
6	M10303	JETPRO spray-gun supported washer
7	M10239	JETPRO spray-gun handle right cover
8	M10238	JETPRO spray-gun handle left cover
9	M10242	Axle for JETPRO spray-gun handle cover
10	M07029	JETPRO spray-gun complete trigger

Pos.	Référence	Désignation
11	M07056	Turning connector for JETPRO spray-gun
12	12766	Complete sensor kit with square plug for JETPRO spray-gun