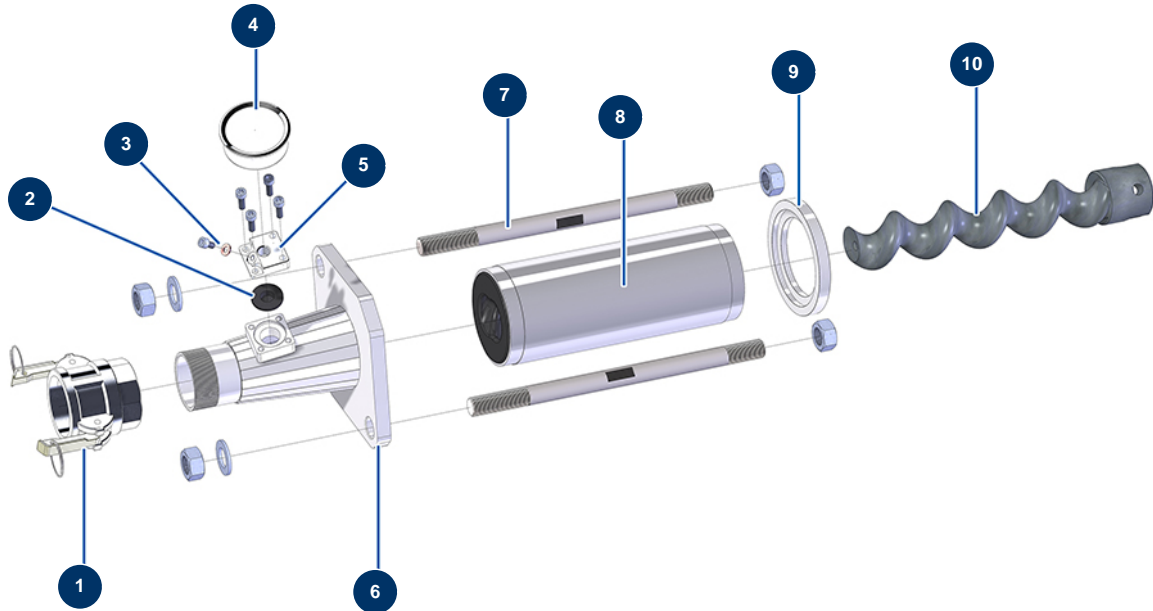


X-PRO D60 spraying machine - Pump (E.W.I.)



Détails des pièces

Pos.	Référence	Désignation
1	12364	2" camlock steel coupling, inner threaded 2" - CP 60
2	12126	MIXPRO 14 pump head manometer membrane
3	12765	Copper seal for JETPRO 80 pump nose
4	80070	Axial manometer 1/4" conical oil 50 mm 0 to 60 bar
5	M10079	MIXPRO 14 cage cover
6	C20500	Pump head clamp for 2L6 stator - C.P 60
7	M10354	330 mm fastening tie rod for CP 60
8	MI3F00522201	EUROPRO MAP 8 SX pump stator
9	M10361	CP60 stator centring ring
10	MI7009043700	EUROPRO MAP 8 pump rotor