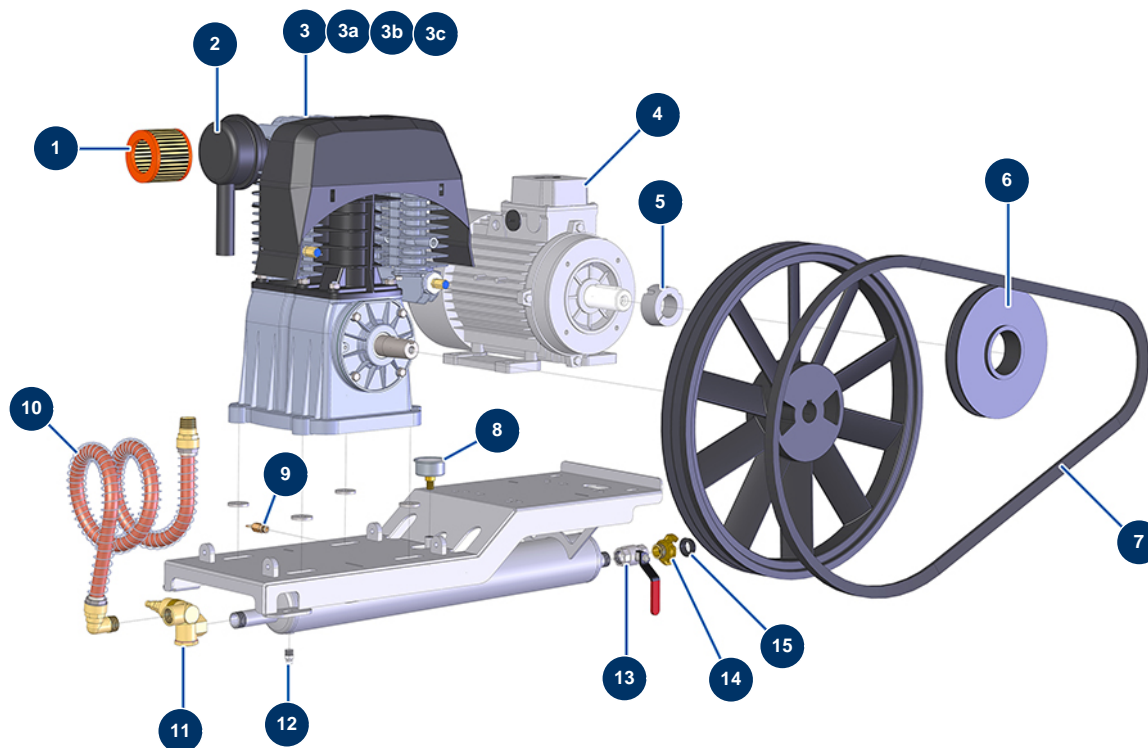


EUROPRO 100 TR compressor - Pneumatic circuit



Détails des pièces

Pos.	Référence	Désignation
1	14503	EUROPRO 100 - BK20 cartridge air filter
2	12299	EUROPRO 100 complete air filter BK20 & BK120
3	30156	Compression head EUROPRO 100
3a	13001	Pouch of gasket for E 100 compressor from 09/2010
3b	30194	EUROPRO 100 plate valve
3c	90205	EUROPRO 100 head cover
4	90505	Foot mounted electric motor 7,5 kW - T132 - B3 - 2800 rpm - 400V
5	90508	Removable hub Ø 38 for 2012
6	90194	17 pulley without hub Ø 200
7	14166	17 SPB 2043 E100TH V-belt from 10/2017
8	80700	Cylindrical oil 1/4 axial manometer 50 mm 0 to 16 bar
9	80097	1/4" certified outer threaded safety valve 11 bar
10	14163	E100-4 2018 compressor outlet air hose

Pos.	Référence	Désignation
11	90138	3/4" autonomous drain valve
12	30133	1/4" male compressor tank purge
13	11382	Red handle valve F3/4" x F3/4"
14	70100	3/4" outer threaded quick fit coupling
15	11372	High temperature quick-fit connector gasket