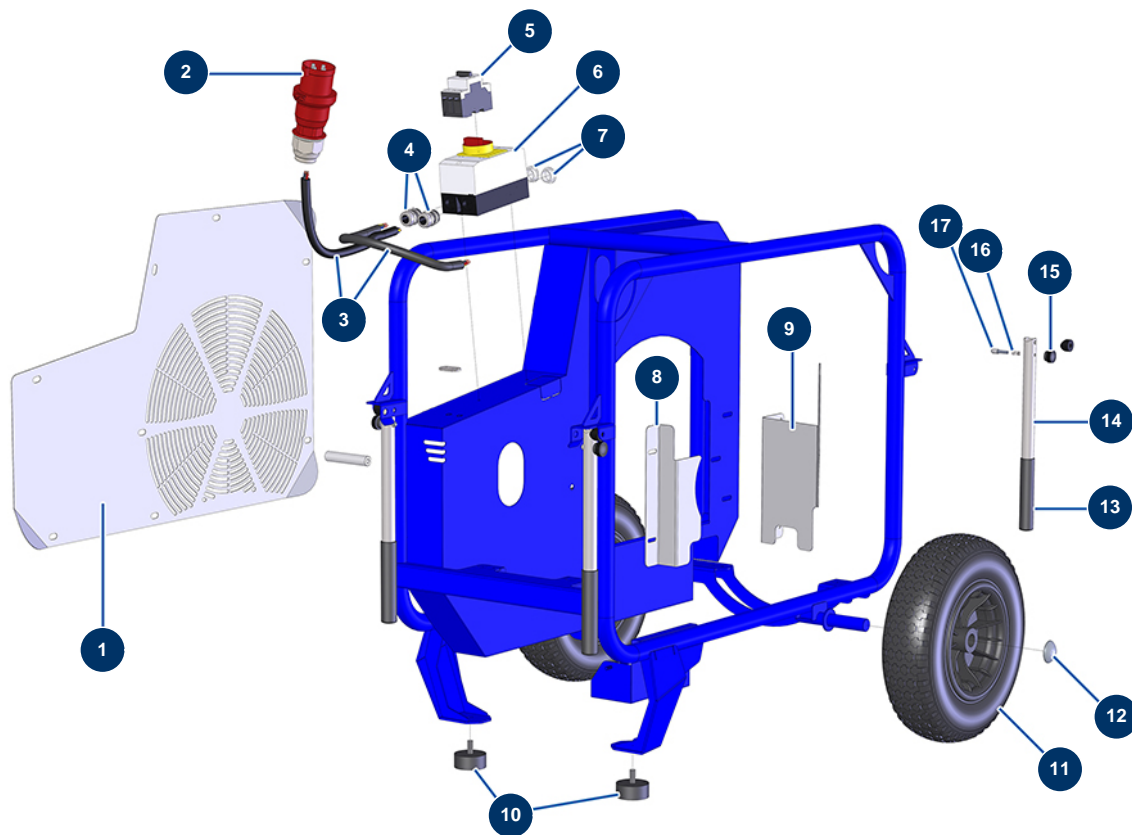


EUROPRO 100 TR compressor - Chassis



Détails des pièces

Pos.	Référence	Désignation
1	C22247	E100 compressor side crankcase
2	12267	Male D electric socket 3P + T 32A with phase inverter
3	30019	H07RNF 4G2.5 electrical cable by the metre
4	80449	Watertight cable gland of M 25
5	30065	16 to 20 petrol motor circuit-breaker
6	30110	EUROPRO compressor vacuum switch box
7	80600	Electrical button for plastic IM 25
8	11209	E100 compressor right baffle
9	11210	E100 compressor air outlet side left baffle
10	90196	Ø 60 x 25 M10 stop
11	80003	Ø400 complete wheel with shaft of 25 for 100TH, MPE 300
12	90282	Ø25 chromed clip
13	90255	Arm handle for EUROPRO 24P, E50 and E100

Pos.	Référence	Désignation
14	11449	EUROPRO 50 et 100 compressor arm
15	20001	EUROPRO 30+,36 and 40 compressor arm button
16	60040	Compressor trigger spring
17	90179	EUROPRO 30+,36 and 40 compressor arm latch