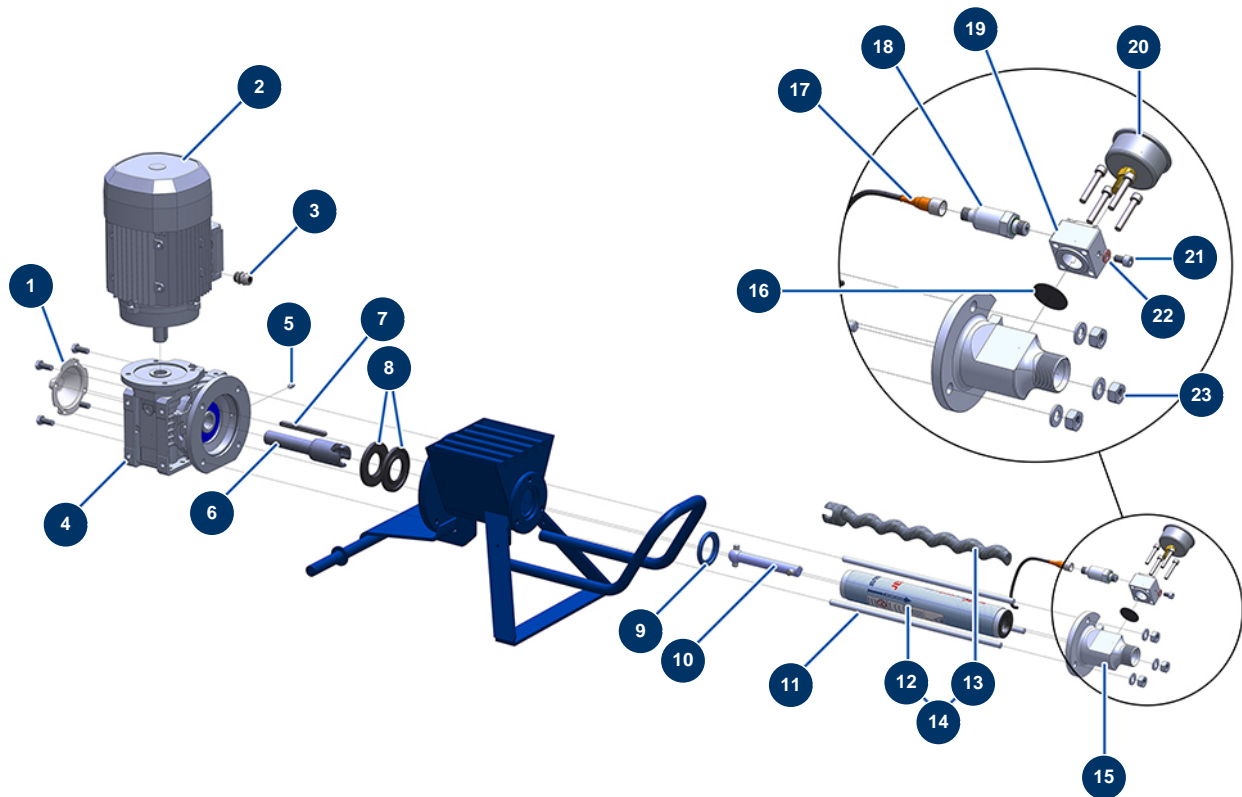


MINIJET 120 complete atomizer - Transmission (up to 11/2019)



Détails des pièces

Pos.	Référence	Désignation
1	90287	14 P2 & 24 P gear reducer plastic cover
2	90189	Electric motor 2,2 kW - T90 - B14 - 1400 rpm - 400V
3	30040	Nickel plated watertight cable gland of 11 CEM
4	13458	Speed reducer 90° - T63 - R10 - B14/T90
5	60012	M6 straight lubricator
6	M10646	Bayonet drive shaft for DROPPRO 14P
7	90750	8 x 7 x 100 parallel key with round end for 24P et PT
8	90726	Spi seal 40 x 80 x 7 for 14P
9	80492	14 P stator reduction ring
10	M10650	MINIJET 120 connecting rod up to 11/2019
11	M10226	Fastening tie rod for JETPRO 80
12	MI3F00529100	EUROPRO JET 2-80SH pump stator
13	MI7009107700	EUROPRO JET 2 chromed pump rotor with bayonet head

Pos.	Référence	Désignation
14	30791	EUROPRO JET 2 pump rotor/stator kit
15	M10227	Stator flange for JETPRO 80
16	12913	Pump nose manometer membrane for JETPRO 80, 120, JETBAG 120
17	12409	M12 straight female connector with 2m cable
18	12560	250 bar pressure sensor for JETPRO and JETBAG 120
19	M10228	Stator flange lid for JETPRO 80
20	12623	50 mm axial manometer 1/4" conical - 0 to 160 bar
21	90798	M6 x 10 cylindrical head screw - CP 60 cylindrical head screw
22	12765	Copper seal for JETPRO 80 pump nose
23	90453	M 10 nut