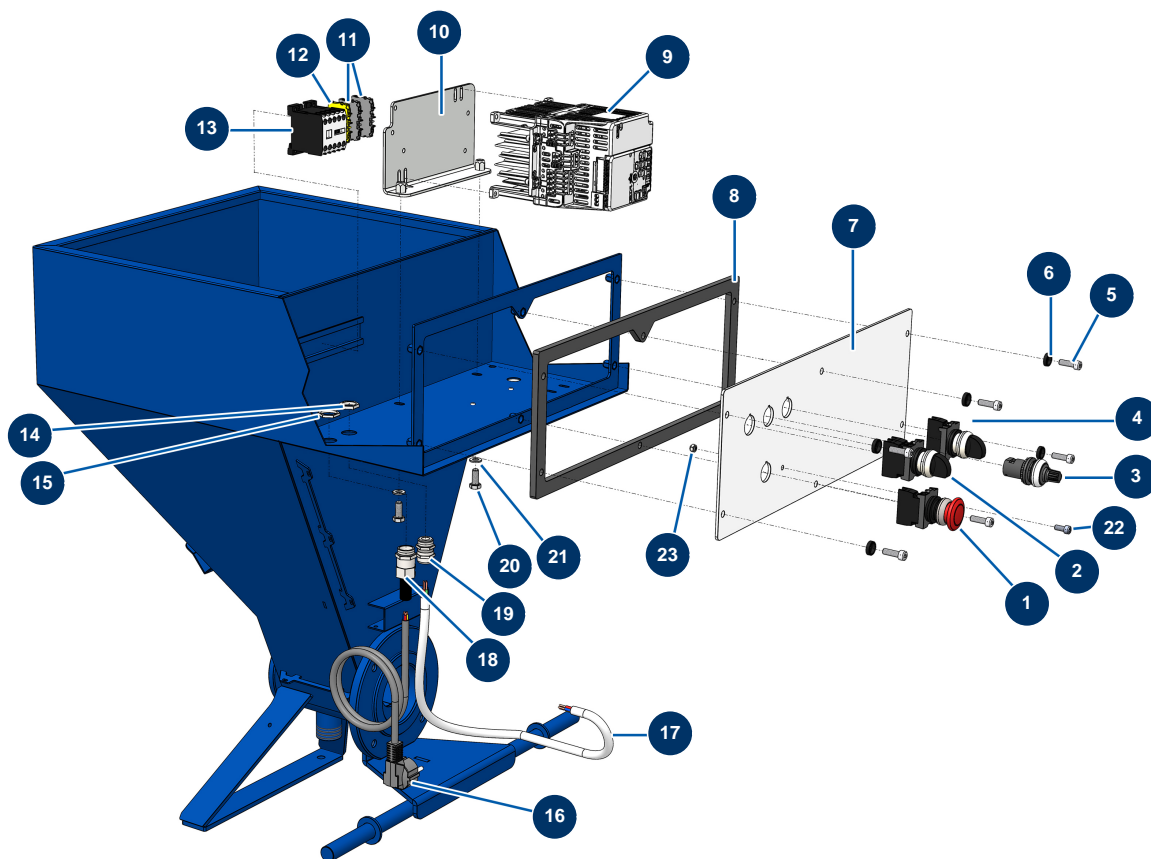


## DROPPRO 14P spraying machine - Electrical box



### Détails des pièces

Pos.	Référence	Désignation
1	90038	Complete EMERGENCY STOP button Ø 22
2	30034	Complete ON button
3	80645	Spraying machine complete potentiometer from MARCH 2003
4	30014	Complete MANU-AUTO button
5	80470	8 x 20 cylindrical head screw
6	80573	Hollow washer Ø 6
7	30272	14 P electrical box holder
8	90734	EUROPRO 14 P box gasket
9	80458	Inverter 230 V - 1,5 kW
10	10002	4 & 8 P electronic control support
11	80467	Grey conductor block 4 mm <sup>2</sup>
12	30038	Yellow and green conductive block 6 mm <sup>2</sup>
13	30011	230 Volt coil switch for sprayer

Pos.	Référence	Désignation
14	30333	Cable gland locknut of 11 CEM
15	30060	11mm cable gland nut
16	90180	Supply cable with moulded plug 3G 1,5 mm <sup>2</sup>
17	90606	Shielded cable 4 x 1,5 by the metre
18	80450	cable gland for 11mm supply cable
19	30040	Nickel plated watertight cable gland of 11 CEM
20	11544	THEF 8 x 25 screw
21	30288	∅ 16 inox narrow washer
22	90161	5 x 12 inox cylindrical head screw
23	11880	M 5 nylstop nut