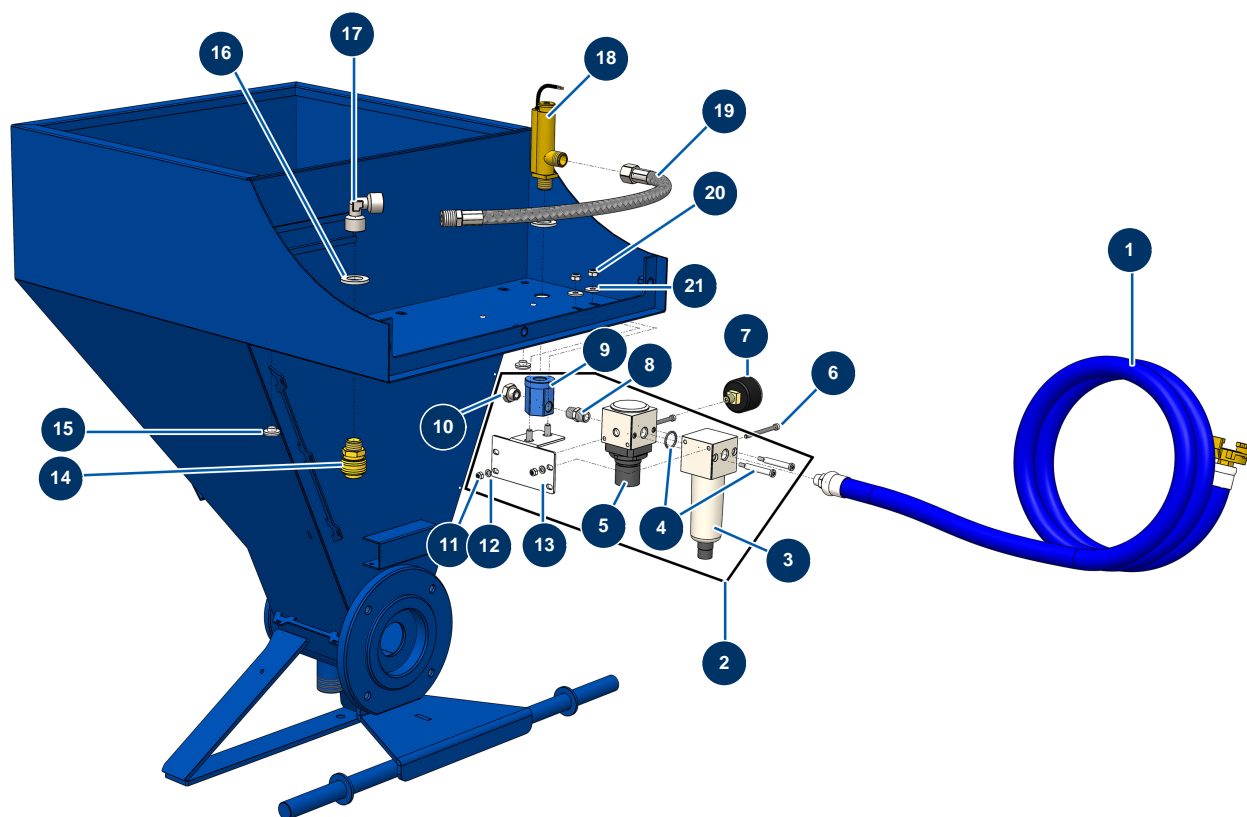


## DROPPRO 14P spraying machine - Air circuit



### Détails des pièces

Pos.	Référence	Désignation
1	90543	6-8-14 and 24 P machine supply air hose
2	14389	1/4" ASCA filter/regulator after-sales service replacement kit
3	14384	Ffilter for DropPro 8 & 14P 1/4" regulator from 01/01/2019
4	14385	DropPro 8P & 14P 1/4" filter regulator assembly kit from 01/01/2019
5	14383	DropPro 8P & 14P 1/4" air regulator from 01/01/2019
6	14380	4 x 55 cylindrical head screw
7	80023	Axial manometer 1/8 conical 40 mm 0 to 10 bar
8	70027	1/4" MaleC x 1/4" MaleC low-pressure nipple
9	10033	6, 8 and 14P nickel-plated brass air inlet coupling
10	30118	1/4" low-pressure male plug
11	30266	M 4 nylstop nut
12	30288	ø 16 inox narrow washer
13	C22419	DROPPRO 8P & 14P air regulation support

Pos.	Référence	Désignation
14	70034	3/8" outer threaded female quick connector
15	80397	Water exhaust cork for electrical box
16	10003	ø 16 large washer
17	70024	Elbow BP 90° 3/8 FemaleD x 3/8 FemaleD
18	30005	Flowmeter for EUROPRO 4-6-8-14 and 24 P
19	80171	Flowmeter air hose for 14P
20	20004	M 6 nylstop nut
21	30291	ø 6 large washer