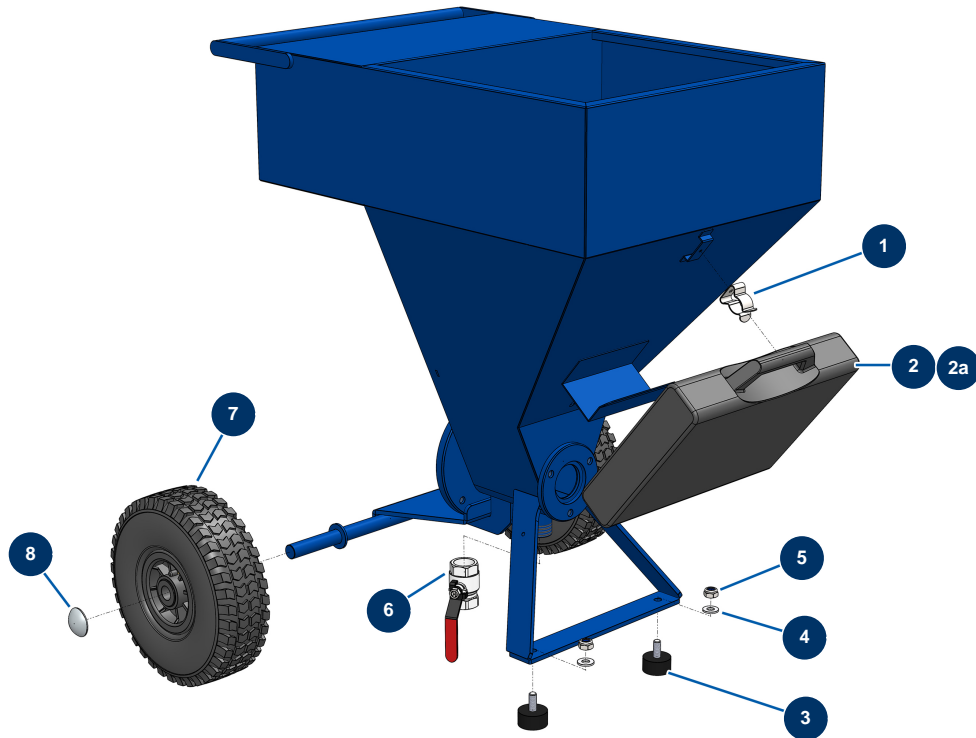


DROPPRO 14P spraying machine - Chassis



Détails des pièces

Pos.	Référence	Désignation
1	80582	Case support spring
2	90656	8P & 14P ABS lance complete carry-case
2a	12270	8, 14 and 24P ABS spraying lance
3	30145	Ø 40 x 20 M10 stop
4	80261	ø 10 inox medium washer
5	13981	M 10 nylstop inox nut
6	70031	Drain valve for EUROPRO 4-6-8-14 P, MPE, AG, 7000z, 9000z
7	80001	Complete wheel 260 shaft of 20 for 6,8,14P, MPE 80 and 200, 7000z, 9000z
8	90281	Ø20 chromed clip