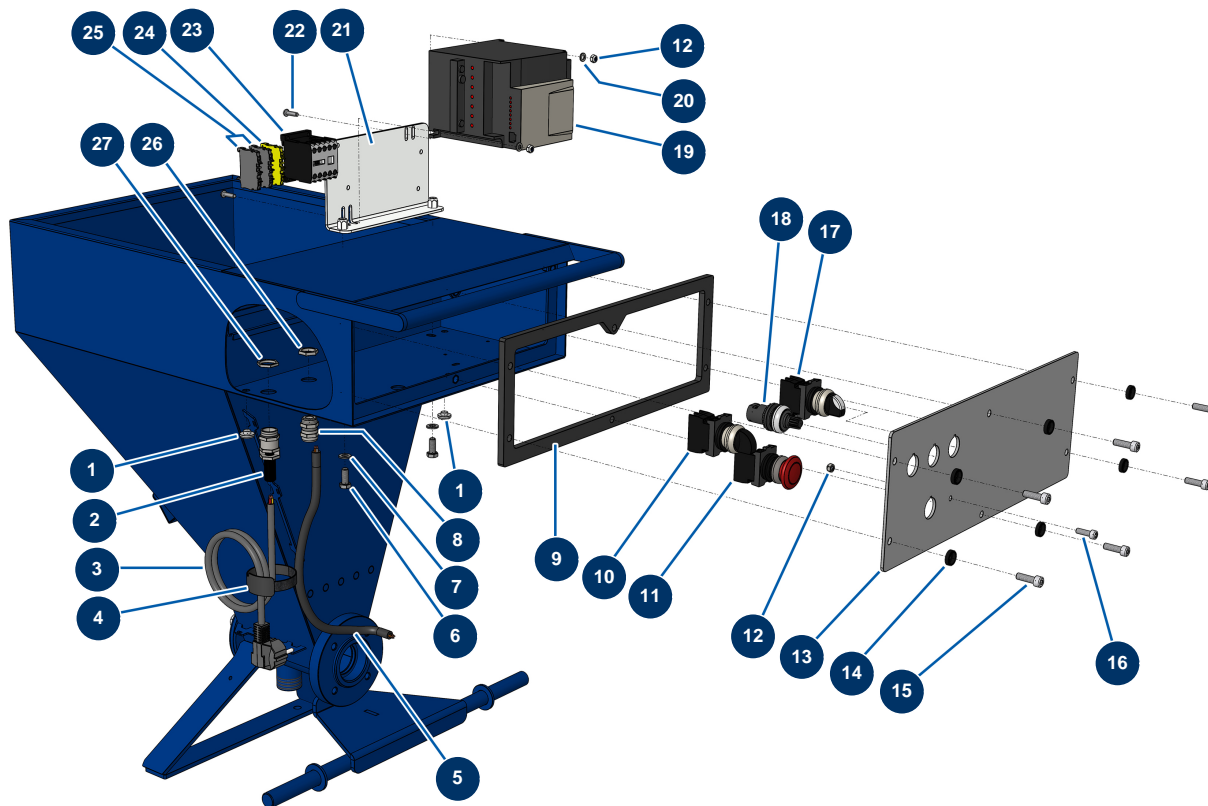


DROPPRO 8P spraying machine - Electrical box



Détails des pièces

Pos.	Référence	Désignation
1	80397	Water exhaust cork for electrical box
1	80397	Water exhaust cork for electrical box
2	80450	cabale gland for 11mm supply cable
3	90180	Supply cable with moulded plug 3G 1,5 mm ²
4	12411	Self-gripping collar 20 x 330 mm
5	90606	Shielded cable 4 x 1,5 by the metre
6	30273	THEF 8 x 20 screw
7	30256	ø 8 inox narrow washer
8	30040	Nickel plated watertight cable gland of 11 CEM
9	10049	EUROPRO 8 P electrical box gasket
10	30034	Complete ON button
11	90038	Complete EMERGENCY STOP button Ø 22
12	11880	M 5 nylstop nut

Pos.	Référence	Désignation
12	11880	M 5 nylstop nut
13	10006	8 P electrical junction box holder
14	80573	Hollow washer Ø 6
15	90996	6 x 20 inox cylindrical head screw
16	90160	5 x 16 cylindrical head screw
17	11338	COMPACT-PRO complete REVERSE-AUTO-MANU button
18	80645	Spraying machine complete potentiometer from MARCH 2003
19	80458	Inverter 230 V - 1,5 kW
20	70085	ø 5 narrow washer
21	10002	4 & 8 P electronic control support
22	20290	5 x 20 10.9 cylindrical head screw
23	30011	230 Volt coil switch for sprayer
24	30038	Yellow and green conductive block 6 mm ²
25	80467	Grey conductor block 4 mm ²
26	30333	Cable gland locknut of 11 CEM
27	30060	11mm cable gland nut