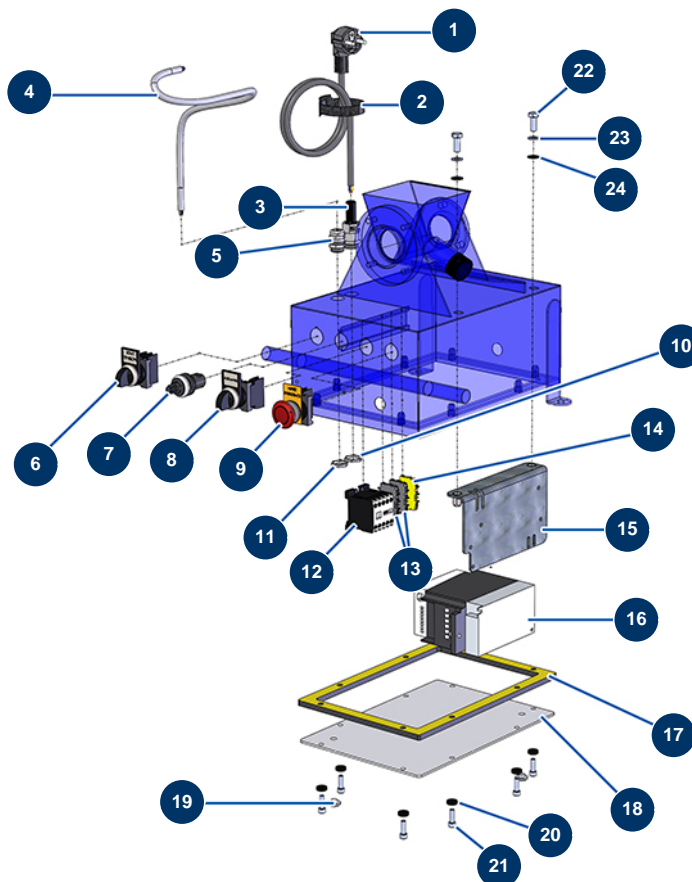


## DROPPRO 4P spraying machine - Electrical box



### Détails des pièces

Pos.	Référence	Désignation
1	90180	Supply cable with moulded plug 3G 1,5 mm <sup>2</sup>
2	12410	Self-gripping collar with loop 12,7 x 228 mm
3	80450	cable gland for 11mm supply cable
4	90606	Shielded cable 4 x 1,5 by the metre
5	30040	Nickel plated watertight cable gland of 11 CEM
6	30034	Complete ON button
7	80645	Spraying machine complete potentiometer from MARCH 2003
8	30014	Complete MANU-AUTO button
9	90038	Complete EMERGENCY STOP button Ø 22
10	30060	11mm cable gland nut
11	30333	Cable gland locknut of 11 CEM
12	30011	230 Volt coil switch for sprayer
13	80467	Grey conductor block 4 mm <sup>2</sup>

Pos.	Référence	Désignation
14	30038	Yellow and green conductive block 6 mm <sup>2</sup>
15	10002	4 & 8 P electronic control support
16	12098	Inverter 230 V - 0,55 KW
17	10064	EUROPRO 4 P electrical box gasket
18	10026	4 P electrical junction box holder
19	80397	Water exhaust cork for electrical box
20	80573	Hollow washer Ø 6
21	90996	6 x 20 inox cylindrical head screw
22	30273	THEF 8 x 20 screw
23	80260	ø 8 inox medium washer
24	10067	7 x 16 rubber washer