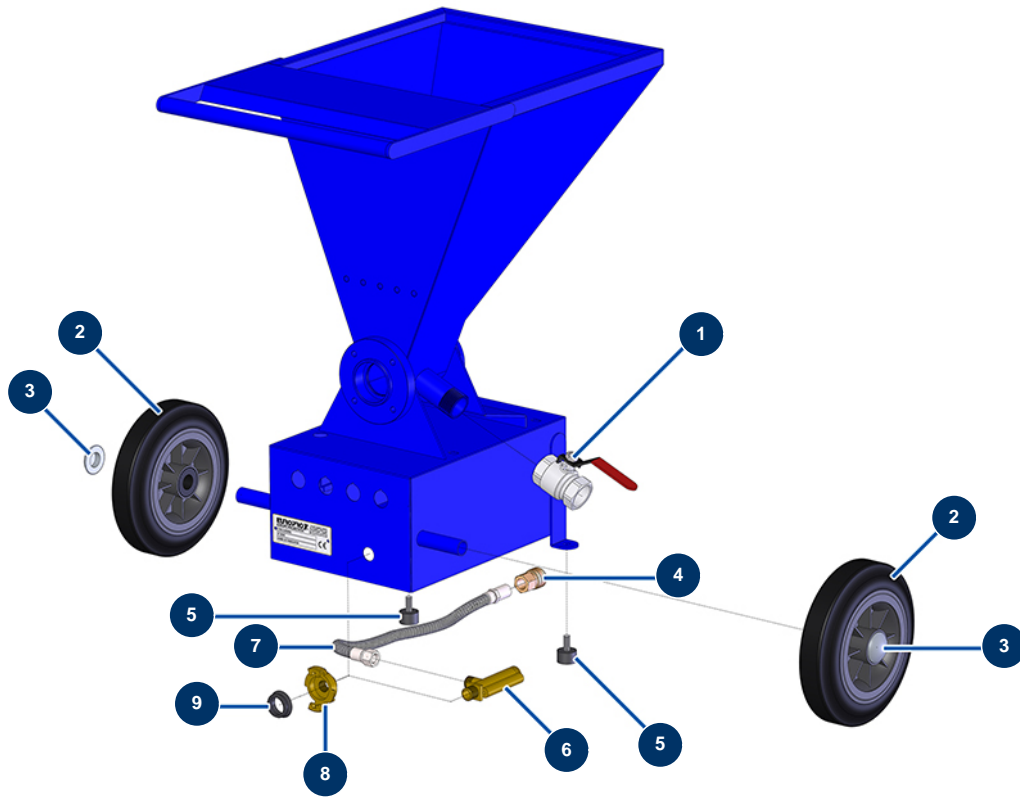


DROPPRO 4P spraying machine - Chassis and air circuit



Détails des pièces

| Pos. | Référence | Désignation |
|------|--------------|---|
| 1 | 70031 | Drain valve for EUROPRO 4-6-8-14 P, MPE, AG, 7000z, 9000z |
| 2 | 90720 | Complete wheel 200 shaft 20 for 4P and MPE 50 |
| 2 | 90720 | Complete wheel 200 shaft 20 for 4P and MPE 50 |
| 3 | 90281 | Ø20 chromed clip |
| 3 | 90281 | Ø20 chromed clip |
| 4 | 70034 | 3/8" outer threaded female quick connector |
| 5 | 30146 | Ø 25 x 15 M8 stop for EUROPRO 4P |
| 5 | 30146 | Ø 25 x 15 M8 stop for EUROPRO 4P |
| 6 | 30005 | Flowmeter for EUROPRO 4-6-8-14 and 24 P |
| 7 | 30139 | 4 P flow meter air hose |
| 8 | 70054 | 3/8" inner threaded quick fit coupling |
| 9 | MI3A00100502 | Domed rubber gasket for Geka coupling |