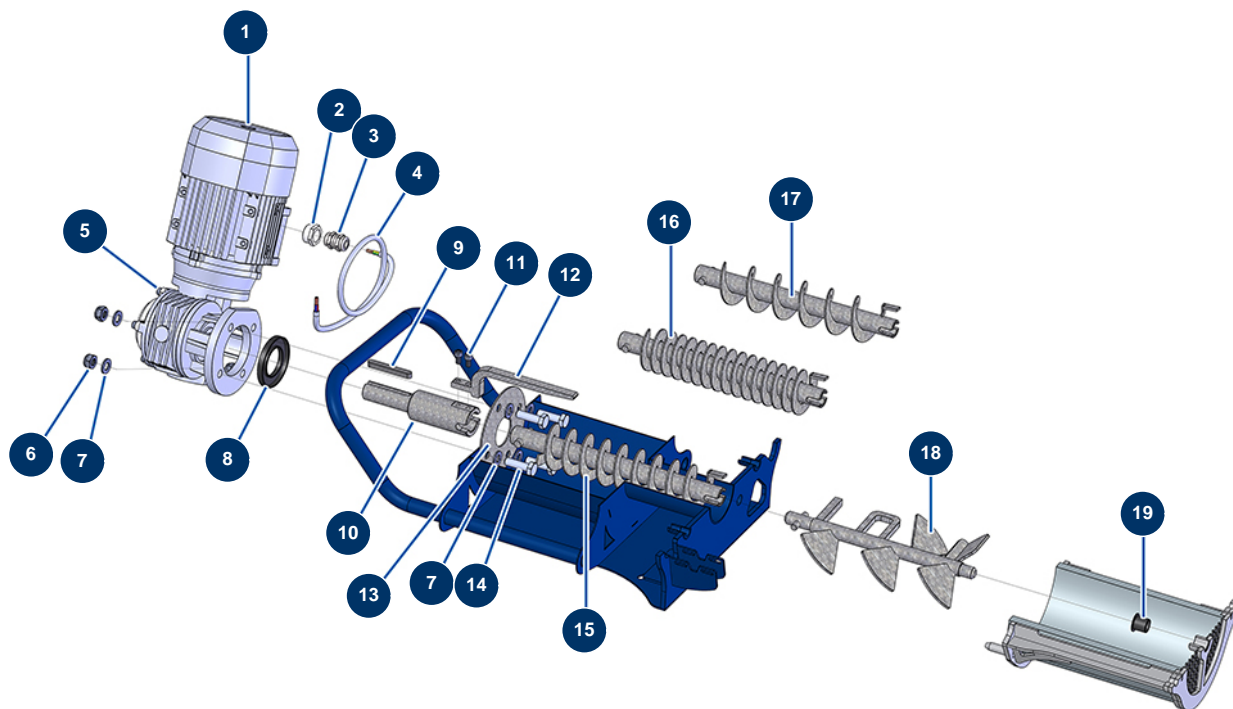


JETMIX 100 + MIXPRO 70 atomizing set - MIXPRO 70 transmission



Détails des pièces

Pos.	Référence	Désignation
1	13387	Electric motor 0,75 kW - T71 - B14 - 1400 rpm - 400V
2	80446	Cable gland reduction M 25-11
3	30040	Nickel plated watertight cable gland of 11 CEM
4	30018	H07RNF 4G1.5 electrical cable by the metre
5	12625	6 x 8 cylindrical head screw
6	13981	M 10 nylstop inox nut
7	30280	ø 10 inox narrow washer
7	30280	ø 10 inox narrow washer
8	13457	Spi seal 40 x 70 x 8
9	90749	8 x 7 x 65 parallel key with round end for 6P,8P,14P,7000z,9000z
10	M10455	Drive shaft for MIXPRO 70
11	12112	6 x 12 cylindrical head screw
12	C21259	Tank scraper for MIXPRO 70

Pos.	Référence	Désignation
13	C21330	Tank reinforcement ring for MIXPRO 70
14	12934	THEF 10 x 35 screw
15	C21269	Secondary mixing shaft (pitch of 25) for MIXPRO 70
16	C21398	Secondary mixing shaft (pitch of 15) for MIXPRO 70
17	C21449	Secondary mixing shaft (pitch of 40) for MIXPRO 70
18	C21451	Mixing shaft for MIXPRO 70 composite chamber
19	13410	Bearing with flange 15/17 x 17