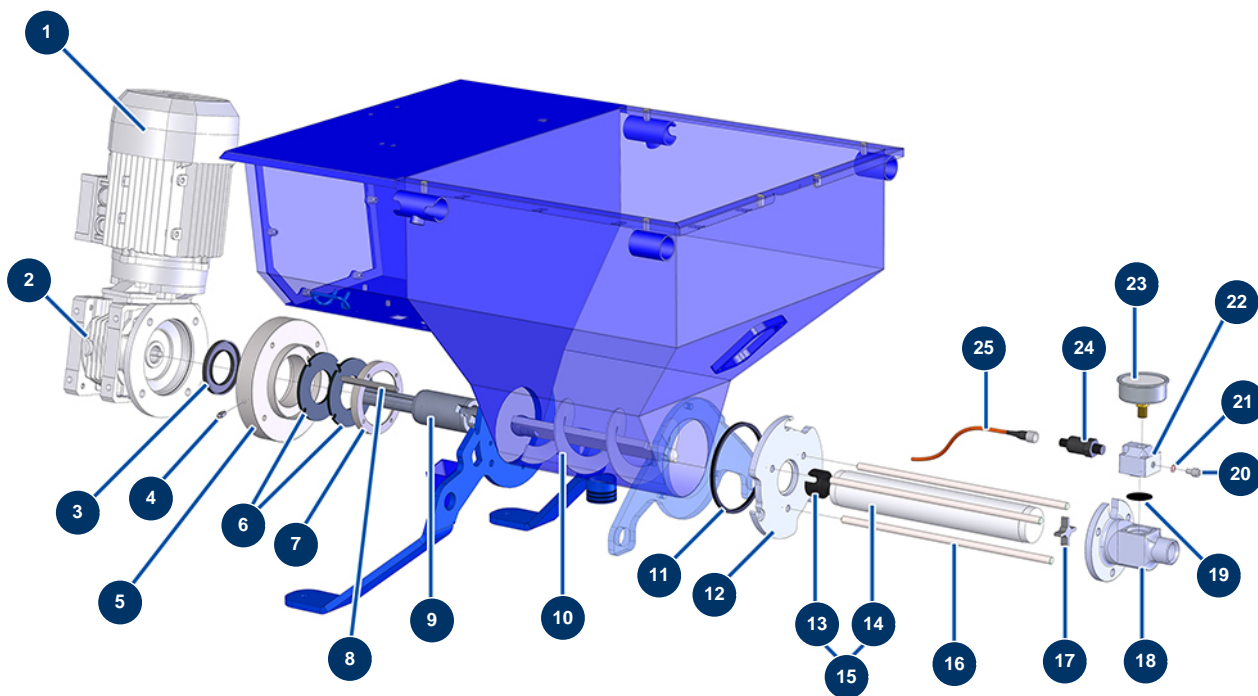


**JETMIX 100 + MIXPRO 70 atomizing set - JETMIX 100 transmission (up to 08/2021)**



**Détails des pièces**

Pos.	Référence	Désignation
1	12333	1
2	13458	Speed reducer 90° - T63 - R10 - B14/T90
3	70107	Spi seal 50 x 80 x 8 for 24P,24PT, MPE300, COMPACT-PRO 30
4	60012	M6 straight lubricator
5	M10468	BONFI motor spacer flange for JETPRO, JETMIX 80 & 100
6	12507	Bottom of tank seal for JETPRO 80
7	M10222	Flange seal for JETPRO 80 & 120
8	90750	8 x 7 x 100 parallel key with round end for 24P et PT
9	M10221	Drive shaft for JETPRO 80
10	C20561	JETPRO 80 connecting rod
11	12506	4-lobes seal for JETPRO 80 flange
12	M10224	JETPRO 80 flange
13	MI7009107700	EUROPRO JET 2 chromed pump rotor with bayonet head

Pos.	Référence	Désignation
14	MI3F00529100	EUROPRO JET 2-80SH pump stator
15	30791	EUROPRO JET 2 pump rotor/stator kit
16	M10226	Fastening tie rod for JETPRO 80
17	M10772	Ø40 pump head crosspiece
18	M10227	Stator flange for JETPRO 80
19	12913	Pump nose manometer membrane for JETPRO 80, 120, JETBAG 120
20	90798	M6 x 10 cylindrical head screw - CP 60 cylindrical head screw
21	12765	Copper seal for JETPRO 80 pump nose
22	M10228	Stator flange lid for JETPRO 80
23	12623	50 mm axial manometer 1/4" conical - 0 to 160 bar
24	12560	250 bar pressure sensor for JETPRO and JETBAG 120
25	12409	M12 straight female connector with 2m cable