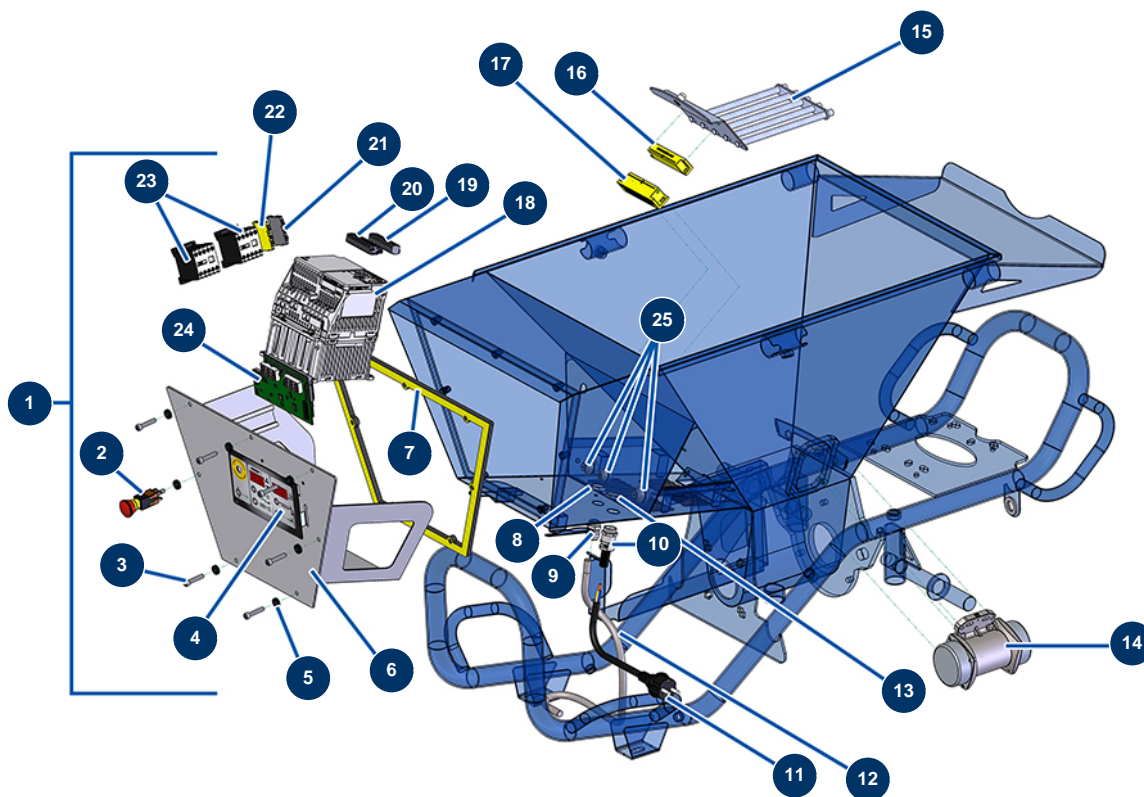


COMPACT-PRO 25 spraying machine - Electrical box



Détails des pièces

Pos.	Référence	Désignation
1	13627	Complete membrane electrical box for COMPACT-PRO 25
2	13015	Hanging EMERGENCY STOP button Ø16
3	90153	6 x 30 cylindrical head screw
4	13006	COMPACT PRO front with membrane
5	80573	Hollow washer Ø 6
6	C21534	6
7	13600	CP25 electrical box seal
8	30333	Cable gland locknut of 11 CEM
9	30040	Nickel plated watertight cable gland of 11 CEM
10	80451	Brass cable gland of 13 for power cable
11	90214	Power cable with molded plug 3G 2,5 mm ²
12	90606	Shielded cable 4 x 1,5 by the metre
13	30054	Cable gland locknut of 13

Pos.	Référence	Désignation
14	11997	Single vibrator - 230V
15	C22285	CP 25 detachable grid
16	15073	
17	12120	Grid safety sensor for JETMIX, MIXPRO 14, 70 & 100
18	80459	Inverter 230 V - 2.2 KW
19	11772	12 pins female connector
20	11771	12 pins male connector
21	80467	Grey conductor block 4 mm ²
22	30038	Yellow and green conductive block 6 mm ²
23	11918	Coil contactor 24 Volt AC
24	30627	COMPACT-PRO 25 electronic card
25	13632	M 20 grey rubber cable gland