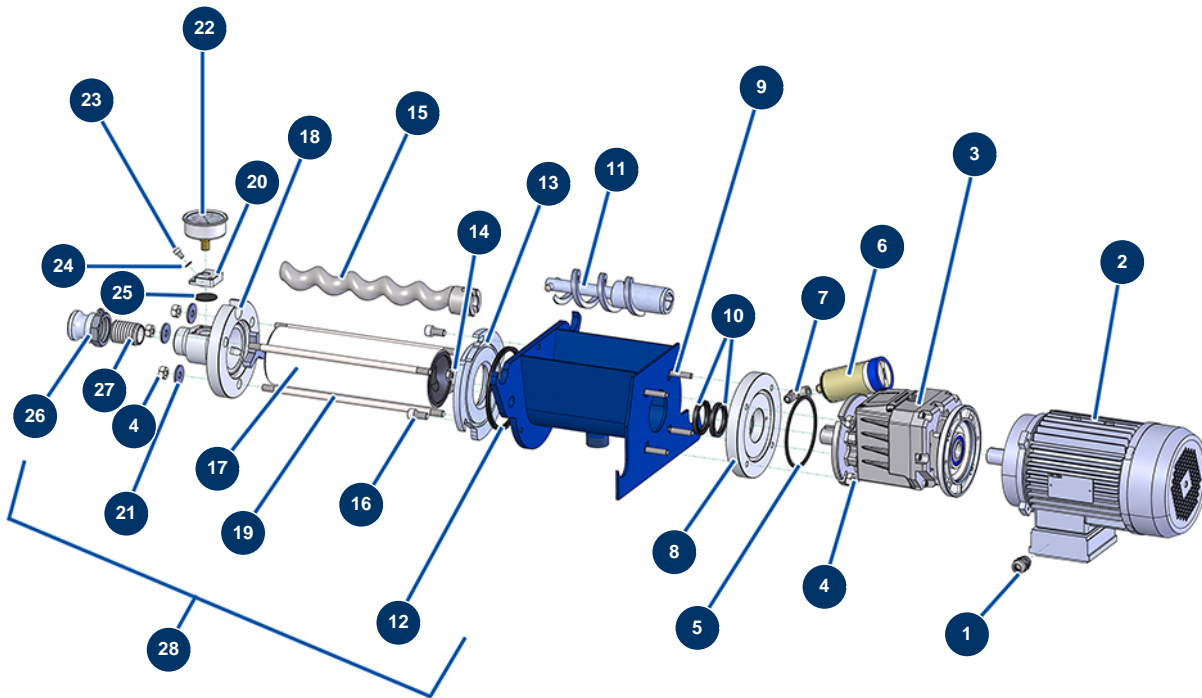


COMPACT-PRO 25 spraying machine - Transmission



Détails des pièces

Pos.	Référence	Désignation
1	30082	Nickel plated watertight cable gland of 11
2	MI3D00200710	Electric motor 2,2 kW - T90 - B14 -2800 rpm - 400V
3	15155	Coaxial speed reducer - T412A - R18,04 - B14/T90
4	13978	M10 inox nut
4	13978	M10 inox nut
5	13692	CP25 motor flange seal
6	90639	Automatic greaser
7	30121	90° low-pressure elbow 1/4 MaleC x 1/4 FemaleD
8	M10510	CP25 motor flange
9	11561	Round head square neck stainless steel screw 8 x 40
10	70062	Spi seal 40 x 52 x 7 for 4,6,8P, AG, MPE, 7000z, 9000z
11	C21689	Complete drive shaft for CP 25
12	12506	4-lobes seal for JETPRO 80 flange

Pos.	Référence	Désignation
13	M10491	COMPACT-PRO 25 flange
14	13979	M10 flat inox nut
15	MI7009108300	MIXER 26 D4-2 pump rotor with bayonet head
16	80668	10 x 20 cylindrical head screw
17	MI3F00501300	MIXER 26 D4-2 pump stator
18	M10427	1" inner threaded stator flange
19	60010	Fastening tie rod for MAP 5/6
20	M10079	MIXPRO 14 cage cover
21	30293	∅ 10 inox large washer
22	80070	Axial manometer 1/4" conical oil 50 mm 0 to 60 bar
23	90798	M6 x 10 cylindrical head screw - CP 60 cylindrical head screw
24	12765	Copper seal for JETPRO 80 pump nose
25	12913	Pump nose manometer membrane for JETPRO 80, 120, JETBAG 120
26	70012	1"1/4 inner threaded adapter for 24P
27	M10426	1" BSP outer threaded insert
28	13545	JETMIX MIXER 26 complete pump kit