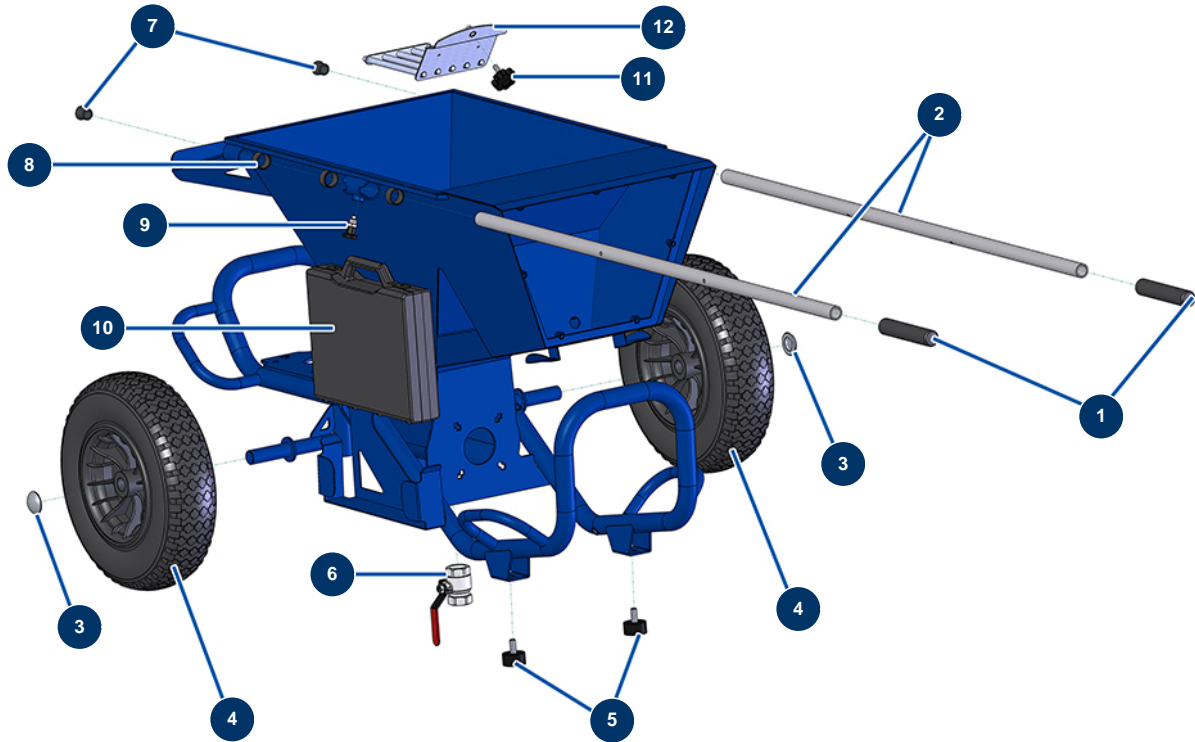


COMPACT-PRO 25 spraying machine - Chassis



Détails des pièces

Pos.	Référence	Désignation
1	90255	Arm handle for EUROPRO 24P, E50 and E100
2	C21326	JETMIX 80 / Blowing machine arm
3	90282	Ø25 chromed clip
3	90282	Ø25 chromed clip
4	80003	Ø400 complete wheel with shaft of 25 for 100TH, MPE 300
4	80003	Ø400 complete wheel with shaft of 25 for 100TH, MPE 300
5	30145	Ø 40 x 20 M10 stop
6	70031	Drain valve for EUROPRO 4-6-8-14 P, MPE, AG, 7000z, 9000z
7	90870	Black plastic end cap for ø 25 round tube
8	13453	Cylindrical bearing 26/30 x 16
9	13454	M12 X 1.5 indexage pin
10	12045	Carry case for E.W.I. ABS spray lance
11	11514	Plastic thumb wheel M8 x 20

Pos.	Référence	Désignation
12	C22285	CP 25 detachable grid