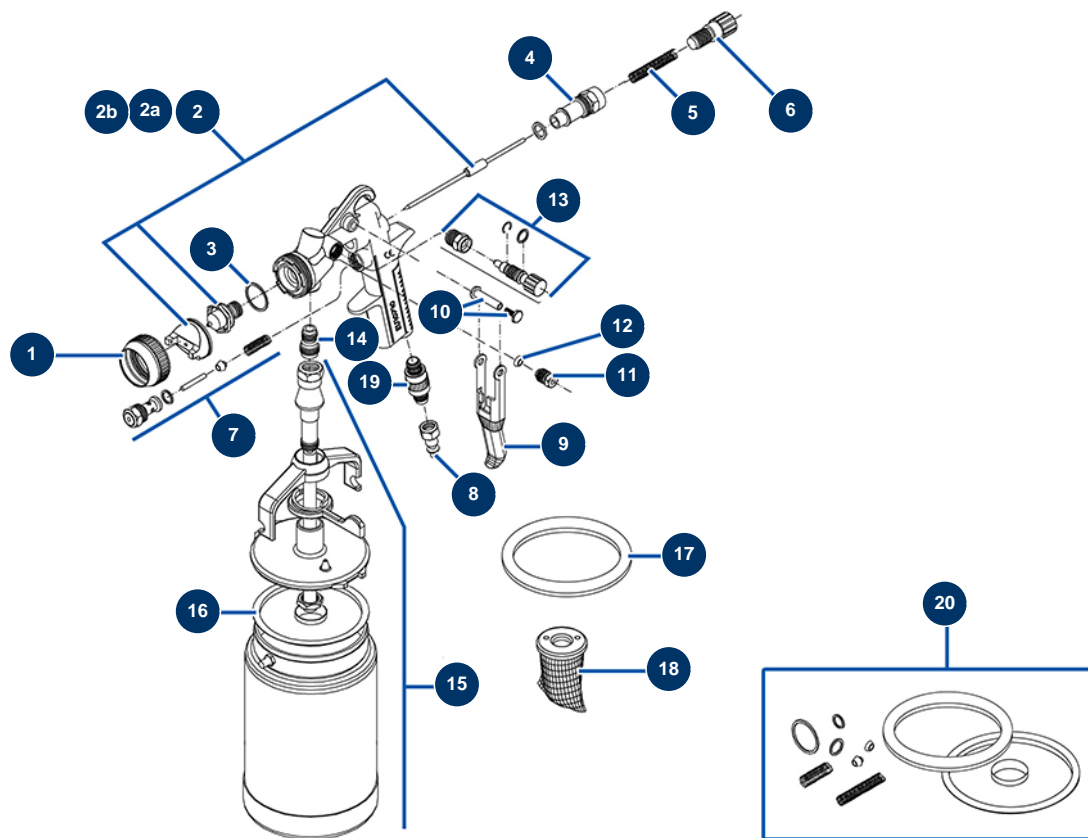


AC-10-A paint spray-gun - General view



Détails des pièces

Pos.	Référence	Désignation
1	AC10001	AC10A/15G spray-gun nozzle ring
2	AC10140	Ø 1,40mm needle kit for AC-10-A & AC-15-G
2a	AC10175	Ø 1,75mm needle kit for AC-10-A & AC-15-G
2b	AC10250	Ø 2,50mm needle kit for AC-10-A & AC-15-G
3	AC10011	AC10A/15G, AC20A/25G, AC55P (x 5) paint spray-gun nozzle gasket
4	AC10139	AC10A/15G spray-gun product flow adjustment knob screw
5	AC10102	AC10A/15G (x2) paint spray-gun needle spring
6	AC10298	AC-10,15,20,25 and 30 spray-gun product flow adjustment knob
7	AC10078	AC10A/15G painting spray-gun air valve
8	80091	Male quick fit coupling inner threaded 1/4" Ø 6
9	AC10038	AC10A/15G/25G/40G spray-gun trigger
10	AC10178	AC spray gun complete trigger axis
11	AC10046	AC10A/15G/20A/25G/35A/40G/55P spray-gun cable gland nut

Pos.	Référence	Désignation
12	AC10206	AC10A/15G/20A/25G/35A/40G/55P (x 5) paint spray-gun gland gasket
13	AC10179	AC-10,15,20,25 and 30 spray-gun air flow adjustment knob
14	AC10121	AC10A, AC20A paint spray-gun product inlet coupling
15	AC10482	AC10A spray-gun complete bowl 1L
16	AC10483	AC20A/35A anti-return valve x 5
17	AC10418	AC-10-A bowl gasket x 5
18	90147	Lower bowl strainer x 5
19	20006	Air adjustment tap 1/4" M x 1/4" M
20	AC10763	AC 10A spray-gun gasket kit