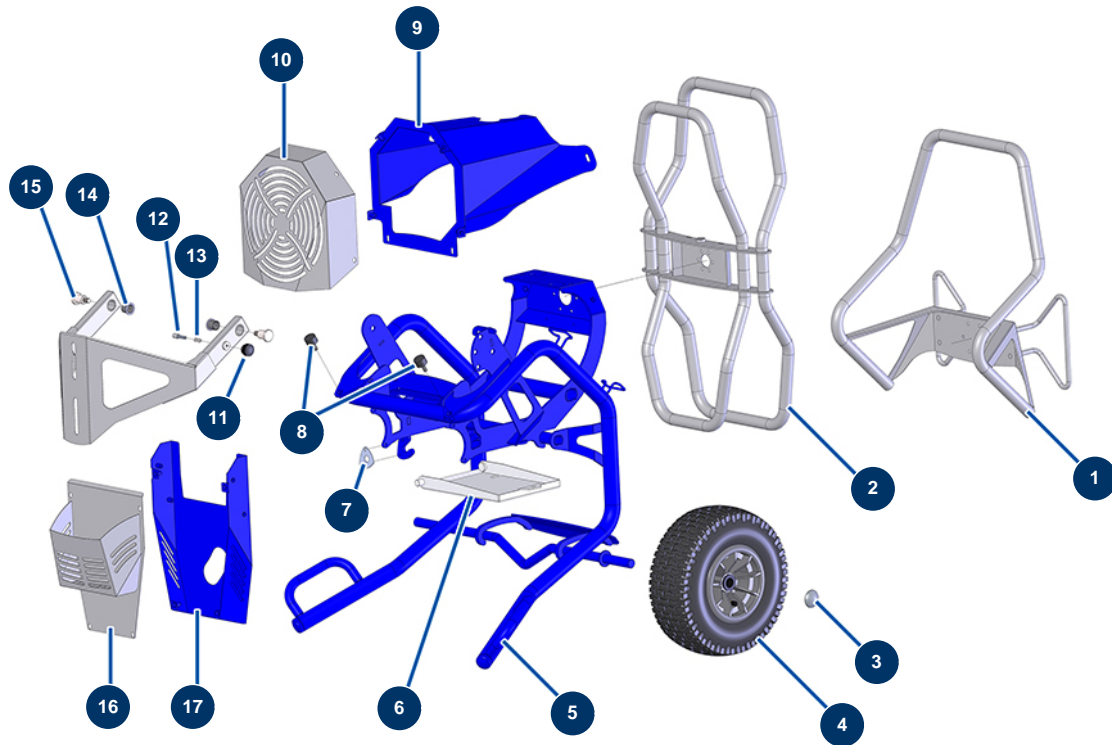


HYDROPRO 800 PREMIUM airless piston pump - Chassis



Détails des pièces

Pos.	Référence	Désignation
1	C21843	Hydropro 800 standard arm
2	C21738	Hydropro 800 premium reel arm
3	90281	Ø20 chromed clip
4	12319	Complete wheel 320 with axle of 20
5	C21765	Hydropro 800 frame
6	C21740	Hydropro 800 motor plate
7	C21741	Hydropro 800 motor non-return plate
8	30146	Ø 25 x 15 M8 stop for EUROPRO 4P
9	C21730	Hydropro 800 air baffle
10	C21751	Hydropro 800 Crankcase uper cover
11	20001	EUROPRO 30+,36 and 40 compressor arm button
12	90179	EUROPRO 30+,36 and 40 compressor arm latch
13	60040	Compressor trigger spring

Pos.	Référence	Désignation
14	13845	Bearing with flange 18/20 x 17
15	M10542	Hydropro 800 pump arm pivot pion
16	C21748	Hydropro 800 Crankcase lower cover
17	C21745	Hydropro 800 lower crankcase