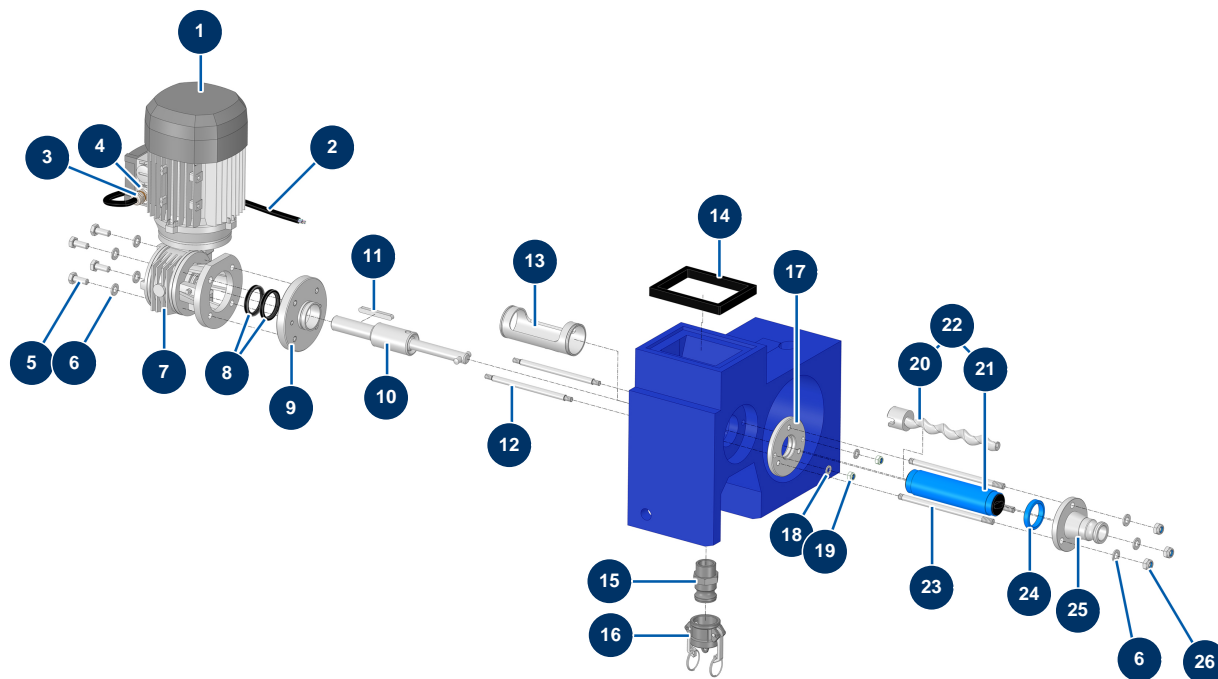


## POLYMAIR 4 HVLP spraying system - Transmission



### Détails des pièces

Pos.	Référence	Désignation
1	90549	Electric motor 0,75 kW - T80 - B14 -1400 rpm - 400V
2	90606	Shielded cable 4 x 1,5 by the metre
3	30040	Nickel plated watertight cable gland of 11 CEM
4	80599	Cable gland reduction M 25-13
5	30257	THEF 10 x 25 screw
6	30280	ø 10 inox narrow washer
6	30280	ø 10 inox narrow washer
7	90355	Speed reducer 90° - T50 - R20 - B14/T80
8	70062	Spi seal 40 x 52 x 7 for 4,6,8P, AG, MPE, 7000z, 9000z
9	11749	POLYMAIR motor flange
10	11751	Drive shaft for POLYMAIR
11	90749	8 x 7 x 65 parallel key with round end for 6P,8P,14P,7000z,9000z
12	11787	POLYMAIR transmission spacer

Pos.	Référence	Désignation
13	M10282	POLYMAIR spacer tube
14	11779	POLYMAIR base foam seal
15	11674	1" POLYPRO outer threaded adapter for POLYMAIR 4
16	11675	1" POLYPRO female plug with cams for POLYMAIR 4
17	11750	POLYMAIR stator flange
18	30256	∅ 8 inox narrow washer
19	13980	M 8 nylstop inox nut
20	MI7009107000	EUROPRO MAP 1 pump rotor
21	MI3F00529000	EUROPRO MAP 1 pump stator
22	30441	EUROPRO MAP 1 pump rotor/stator kit
23	11748	Fastening tie rod for POLYMAIR 4
24	10885	
25	10015	EUROPRO 4 and 6 P stator clamp blue
26	13981	M 10 nylstop inox nut