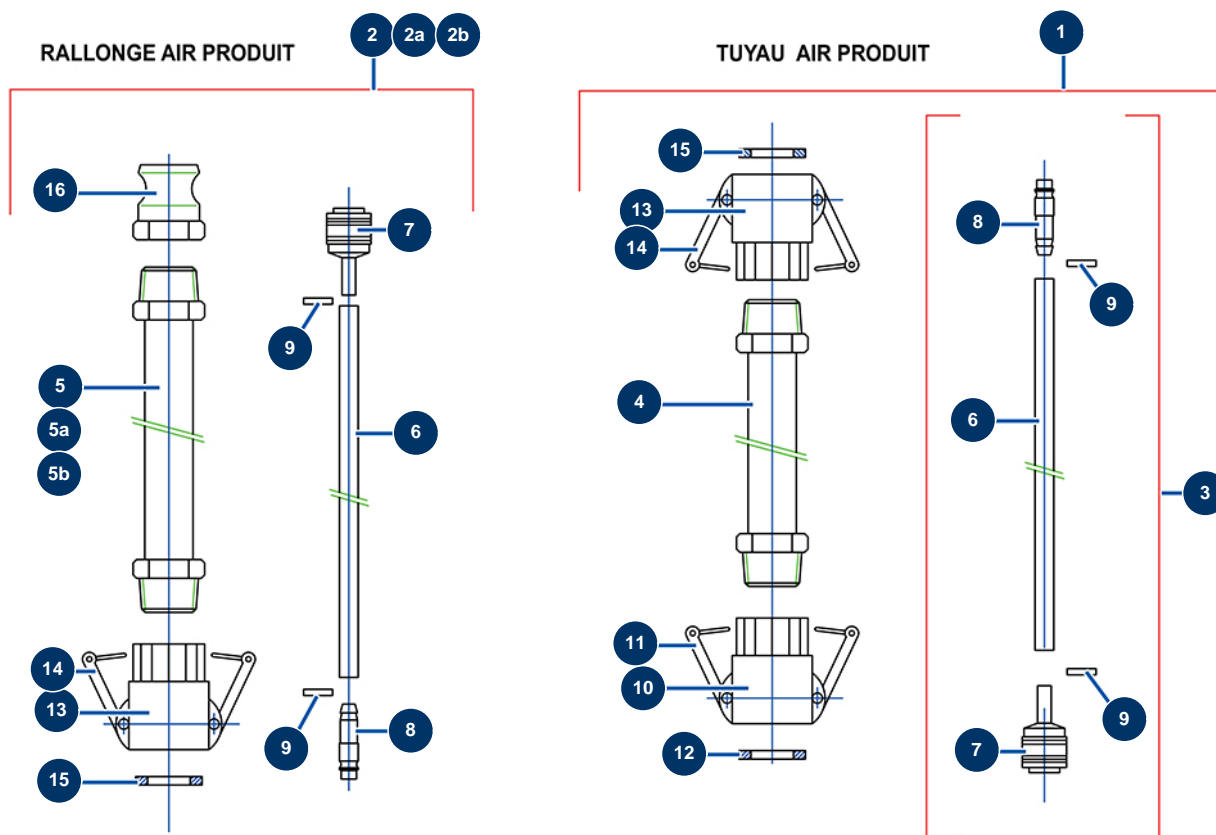


## COMPACT-PRO 35 spraying machine - Hoses



### Détails des pièces

Pos.	Référence	Désignation
1	30143	ø 32 x 10 metres air product hose 24 P
2	12039	Air-product extension Ø35 x 10 m
2a	12170	Air-product extension Ø35 x 15 m
2b	12077	Air-product extension Ø35 x 20 m
3	91064	Complete air hose for lance 11,15 m 14P and 24P
4	50015	Ø32 x 10 m product hose outer threaded 1" x 1"1/4
5	11977	Product hose ø 35 x 10 m threaded 1"1/4
5a	11978	Product hose Ø35 x 15 m outer threaded 1"1/4
5b	11979	Product hose Ø35 x 20 m outer threaded 1"1/4
6	50003	Clear braided PVC hose Ø 10 x 16 by the metre
6	50003	Clear braided PVC hose Ø 10 x 16 by the metre
7	70004	Female quick fit coupling with corrugated shank of 9
7	70004	Female quick fit coupling with corrugated shank of 9

Pos.	Référence	Désignation
8	70018	Corrugate male quick fit coupling of 9
8	70018	Corrugate male quick fit coupling of 9
9	12218	Spring collar Ø 15
9	12218	Spring collar Ø 15
9	12218	Spring collar Ø 15
9	12218	Spring collar Ø 15
10	70007	1" camlock alu coupling, inner threaded 1" for 6, 8, 14 & 24P
11	90689	1" cam coupler
12	70014	1" cam coupler gasket
13	70006	1"1/4 camlock alu coupling, inner threaded 1"1/4 for 24P
13	70006	1"1/4 camlock alu coupling, inner threaded 1"1/4 for 24P
14	90691	1"1/4 cam coupler
14	90691	1"1/4 cam coupler
15	70015	1"1/4 cam coupler gasket
15	70015	1"1/4 cam coupler gasket
16	70012	1"1/4 inner threaded adapter for 24P