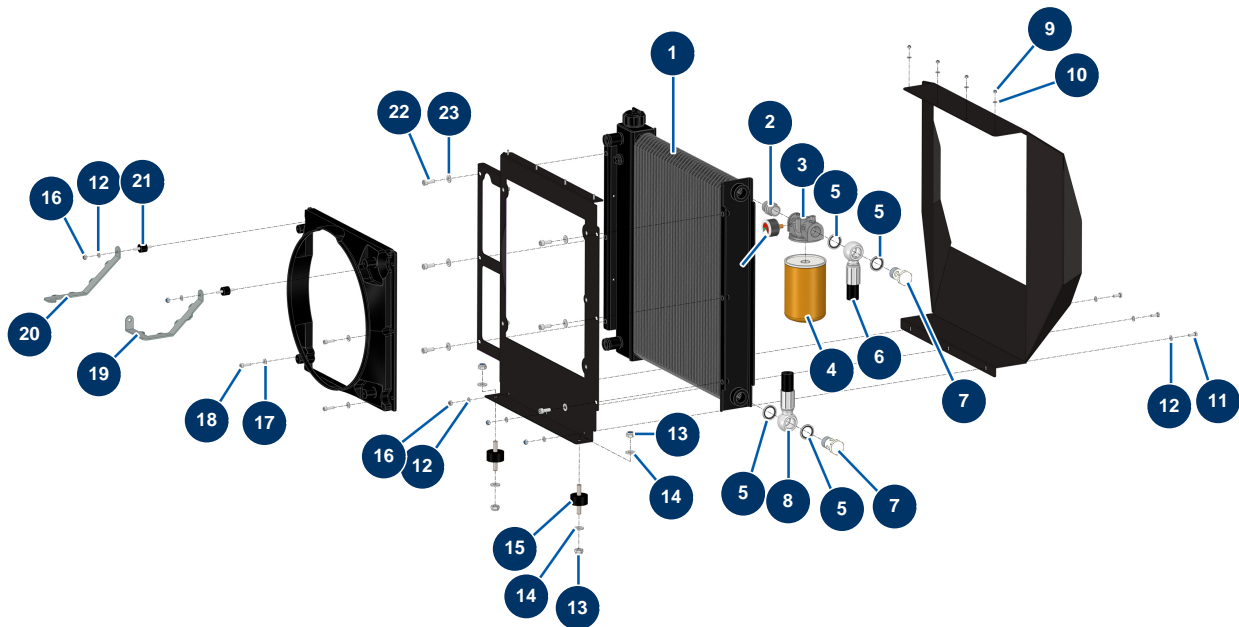


X-PRO D85 spraying machine - Radiator



Détails des pièces

Pos.	Référence	Désignation
1	14680	Engine/Hydraulic oil cooler RL 2021 - CP 60
2	90234	3/4" MaleC x 3/4" MaleC low-pressure nipple
3	15305	
4	15307	
5	12573	Steel gasket for 3/4" hollow screw with lip
5	12573	Steel gasket for 3/4" hollow screw with lip
5	12573	Steel gasket for 3/4" hollow screw with lip
5	12573	Steel gasket for 3/4" hollow screw with lip
6	15269	
7	14733	3/4 BP drilled head screw
7	14733	3/4 BP drilled head screw
8	15264	
9	30266	M 4 nylstop nut

Pos.	Référence	Désignation
10	11736	∅ 4 inox medium washer
11	12069	THEF 6 x 16 screw
12	70087	∅ 6 inox narrow washer
12	70087	∅ 6 inox narrow washer
12	70087	∅ 6 inox narrow washer
13	60013	M 10 nylstop nut
13	60013	M 10 nylstop nut
14	80261	∅ 10 inox medium washer
14	80261	∅ 10 inox medium washer
15	30150	Silentbloc ∅ 40 x 20 M10
16	14217	M 6 nylstop inox nut
16	14217	M 6 nylstop inox nut
17	80259	∅ 6 medium washer
18	90996	6 x 20 inox cylindrical head screw
19	C23057	
20	C23059	
21	30147	Silentbloc ∅ 20 x 15 M6 for Compact-pro 30
22	80470	8 x 20 cylindrical head screw
23	80260	∅ 8 inox medium washer