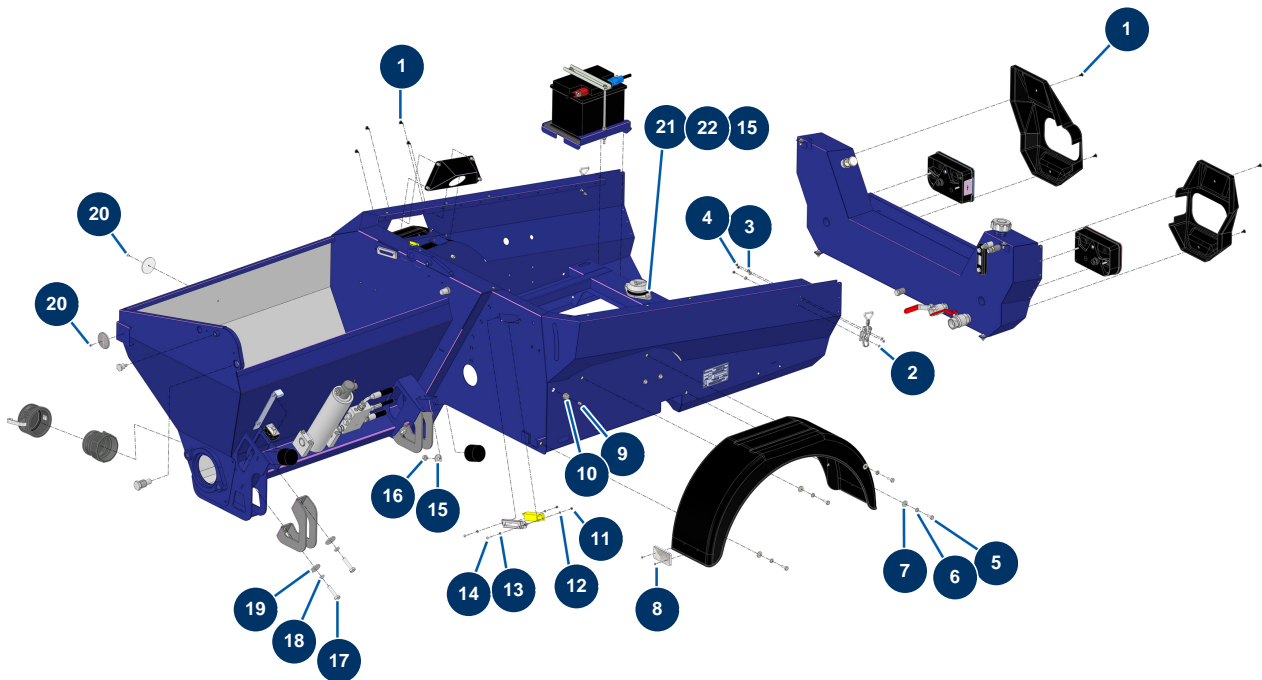


X-PRO D80 V2 spraying machine - Chassis (screws and bolts)



Détails des pièces

Pos.	Référence	Désignation
1	15497	
1	15497	
2	90130	5 x 16 countersunk head screw
3	11737	ø 5 inox medium washer
4	11880	M 5 nylstop nut
5	30273	THEF 8 x 20 screw
6	80269	Grower washer ø 8
7	30292	ø 8 inox large washer
8	14790	ø 4 x 14 aluminium POP rivet
9	20044	1/8" M straight lubricator
10	20159	
11	30266	M 4 nylstop nut
12	30267	ø 4 inox narrow washer

Pos.	Référence	Désignation
13	70085	∅ 5 narrow washer
14	11735	Inox mushroom head screw M 5 x 16
15	30293	∅ 10 inox large washer
15	30293	∅ 10 inox large washer
16	90453	M 10 nut
17	12467	THEF 12 x 50 screw
18	12462	Grower washer ∅ 12
19	30294	∅ 12 inox large washer
20	12463	∅ 5 x 16 aluminium POP rivet
20	12463	∅ 5 x 16 aluminium POP rivet
21	30257	THEF 10 x 25 screw
22	60013	M 10 nylstop nut