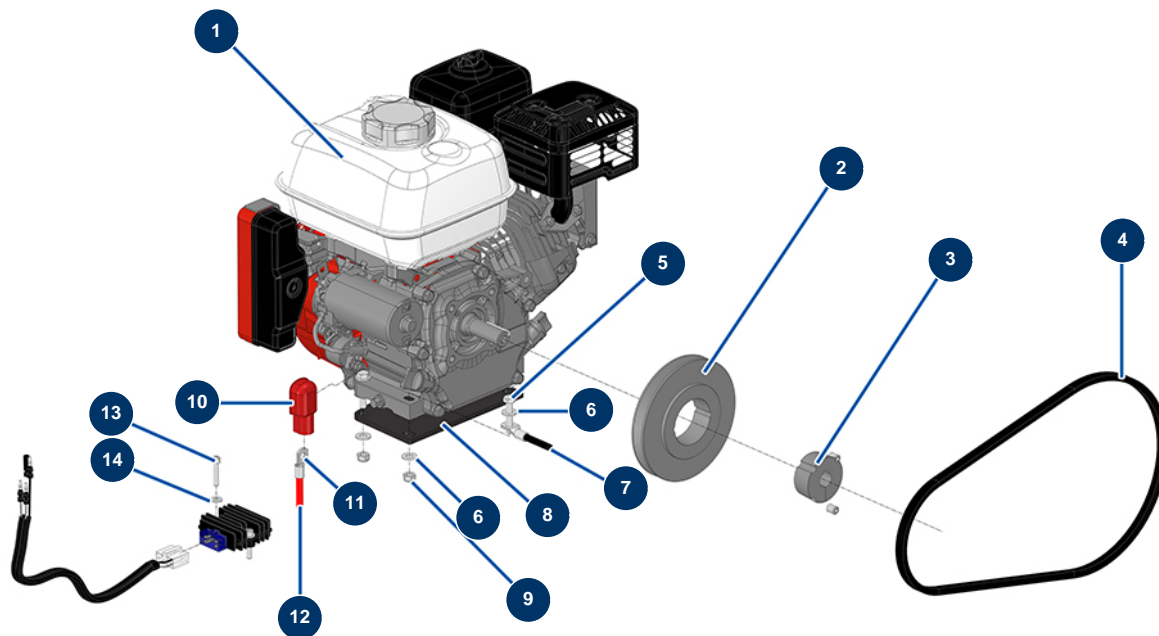


## HYDROLINE L airless self-propelled marking machine - 2 spray-guns - Motorisation



### Détails des pièces

Pos.	Référence	Désignation
1	14232	Petrol motor HONDA GX 200UT2-QX-E5-0H, electric start, 7 A
2	90192	13 pulley without hub Ø 150
3	90760	Removable Ø 3/4" hub for 1610
4	12478	Compressor belt - C.P 60
5	30250	THEF 8 x 40 screw
6	80260	ø 8 inox medium washer
6	80260	ø 8 inox medium washer
7	14900	16 mm² black battery cable by the metre
8	15380	
9	90127	M 8 nylstop nut
10	14557	Battery terminal red protection
11	14899	
12	15233	16 mm² red battery cable by the metre

Pos.	Référence	Désignation
13	90153	6 x 30 cylindrical head screw
14	80259	Ø 6 medium washer