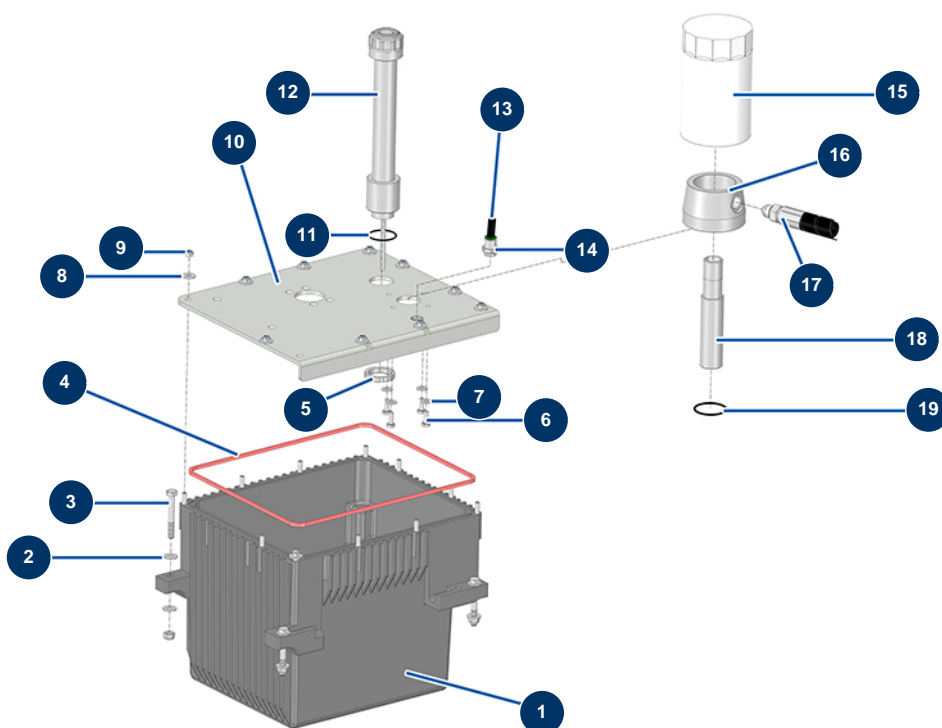


HYDROLINE L airless marking machine - Hydraulic tank



Détails des pièces

Pos.	Référence	Désignation
1	51416	Hydraulic oil tank for HYDROLINE marking machine
2	80260	ø 8 inox medium washer
3	11799	8 x 60 THPF screw
4	51425	Hydraulic oil tank gasket for HYDROLINE marking machine
5	51422	Hydraulic oil tank retaining nut for HYDROLINE marking machine
6	12069	THEF 6 x 16 screw
7	80259	Ø 6 medium washer
8	30291	ø 6 large washer
9	20004	M 6 nylstop nut
10	C23716	10
11	51424	O-ring for HYDROLINE marking machine hydraulic oil gauge
12	51415	Hydraulic tank oil dipstick for HYDROLINE marking machine
13	30405	Calibrated polyurethane tube ø 7,5 x 10 black by the metre

Pos.	Référence	Désignation
14	14779	M3/8 ø 10 push-in connector
15	51413	
16	51414	Hydraulic oil filter seat for HYDROLINE marking machine
17	51436	
18	51421	Hydraulic oil return hose for HYDROLINE marking machine
19	51423	O-ring for HYDROLINE marking machine hydraulic oil filter