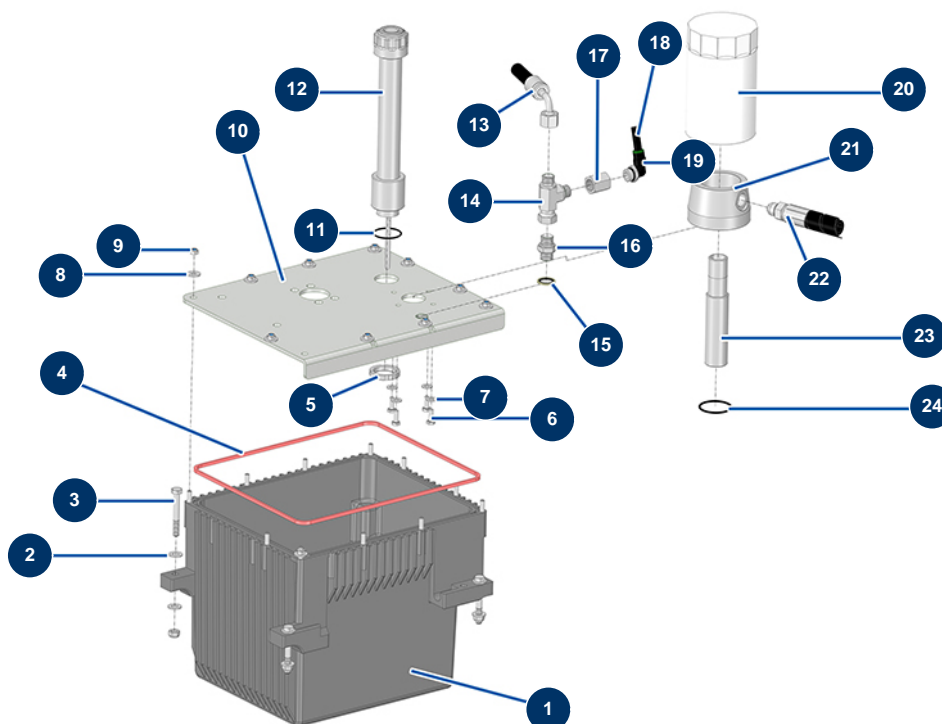


HYDROLINE L airless self-propelled marking machine - Hydraulic tank



Détails des pièces

Pos.	Référence	Désignation
1	51416	Hydraulic oil tank for HYDROLINE marking machine
2	80260	ø 8 inox medium washer
3	11799	8 x 60 THPF screw
4	51425	Hydraulic oil tank gasket for HYDROLINE marking machine
5	51422	Hydraulic oil tank retaining nut for HYDROLINE marking machine
6	12069	THEF 6 x 16 screw
7	80259	Ø 6 medium washer
8	30291	ø 6 large washer
9	20004	M 6 nylon stop nut
10	C23716	10
11	51424	O-ring for HYDROLINE marking machine hydraulic oil gauge
12	51415	Hydraulic tank oil dipstick for HYDROLINE marking machine
13	51506	

Pos.	Référence	Désignation
14	20104	3/8" MaleD x 3/8" MaleD x 3/8" revolving Female high-pressure T
15	91031	Steel gasket for hollow screw with 3/8 lip
16	90698	3/8" MaleD x 3/8" MaleD high-pressure nipple
17	90745	3/8" FemaleC x 3/8" FemaleC high-pressure nipple
18	30405	Calibrated polyurethane tube ø 7,5 x 10 black by the metre
19	14778	M3/8 ø 10 cylindrical elbow push-in connector
20	51413	
21	51414	Hydraulic oil filter seat for HYDROLINE marking machine
22	51436	
23	51421	Hydraulic oil return hose for HYDROLINE marking machine
24	51423	O-ring for HYDROLINE marking machine hydraulic oil filter