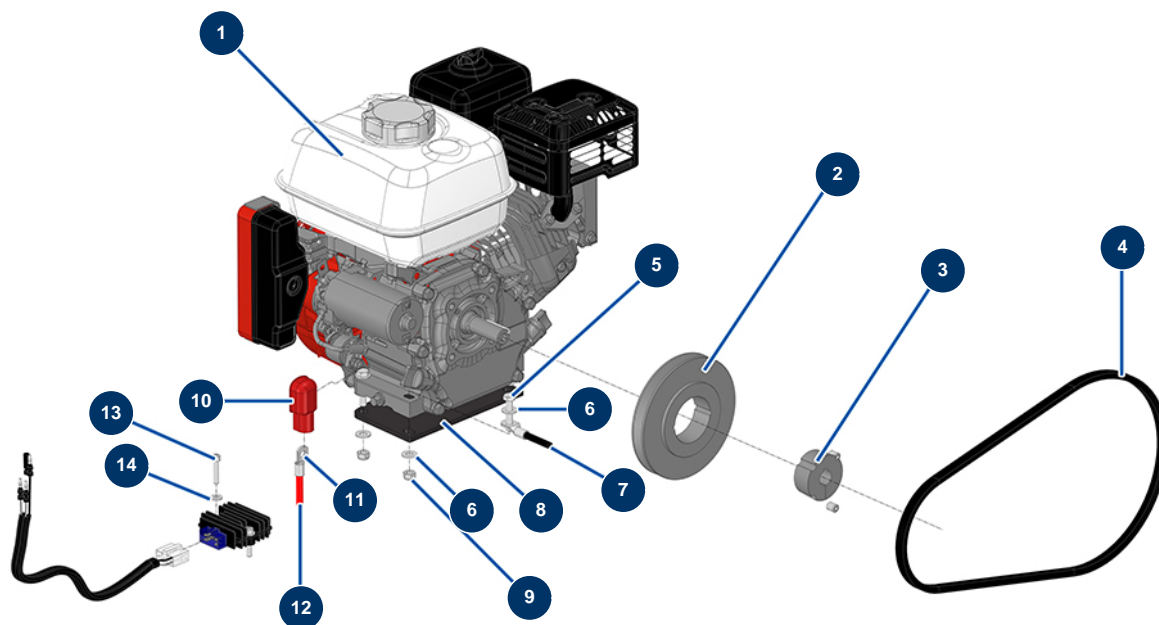


HYDROLINE L airless self-propelled marking machine - Motorisation



Détails des pièces

| Pos. | Référence | Désignation |
|------|-----------|--|
| 1 | 14232 | Petrol motor HONDA GX 200UT2-QX-E5-0H, electric start, 7 A |
| 2 | 90192 | 13 pulley without hub Ø 150 |
| 3 | 90760 | Removable Ø 3/4" hub for 1610 |
| 4 | 12478 | Compressor belt - C.P 60 |
| 5 | 30250 | THEF 8 x 40 screw |
| 6 | 80260 | ø 8 inox medium washer |
| 6 | 80260 | ø 8 inox medium washer |
| 7 | 14900 | 16 mm² black battery cable by the metre |
| 8 | 15380 | |
| 9 | 90127 | M 8 nylstop nut |
| 10 | 14557 | Battery terminal red protection |
| 11 | 14899 | |
| 12 | 15233 | 16 mm² red battery cable by the metre |

| Pos. | Référence | Désignation |
|-------------|------------------|-------------------------------|
| 13 | 90153 | 6 x 30 cylindrical head screw |
| 14 | 80259 | Ø 6 medium washer |