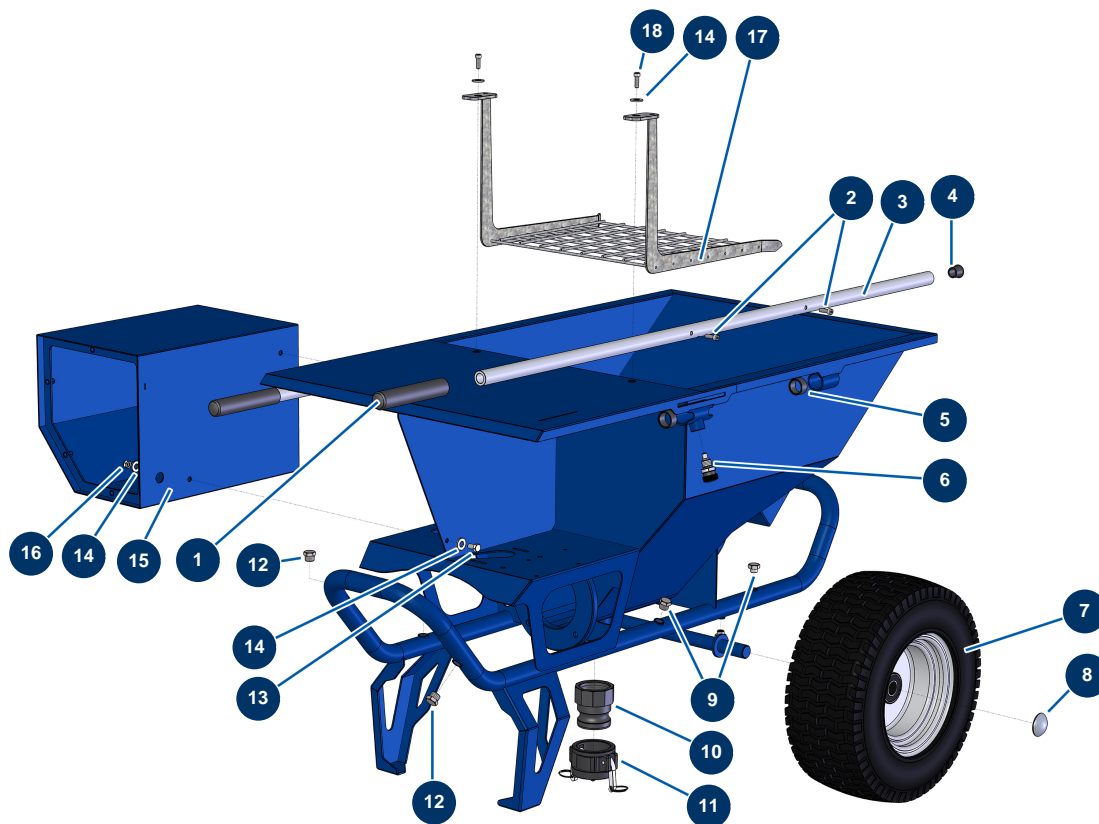


COMPACT-PRO 20 spraying machine - Chassis



Détails des pièces

Pos.	Référence	Désignation
1	90255	Arm handle for EUROPRO 24P, E50 and E100
2	90151	8 x 10 cylindrical head screw
3	C21327	COMPACT-PRO 30 to 55 machine arm from March 2020
4	90870	Black plastic end cap for ø 25 round tube
5	13453	Cylindrical bearing 26/30 x 16
6	15010	Complete indexing pin for arm
7	80372	Complete Ø410 wheel with bearing - axle of 25
8	90282	Ø25 chromed clip
9	30118	1/4" low-pressure male plug
10	11396	POLYPRO 2" inner threaded adapter for COMPACT-PRO 30
11	11397	POLYPRO 2" female plug with cams for COMPACT-PRO 30
12	90238	3/8" low-pressure male plug
12	90238	3/8" low-pressure male plug

Pos.	Référence	Désignation
13	30295	THEF 8 x 16 screw
14	80260	∅ 8 inox medium washer
14	80260	∅ 8 inox medium washer
14	80260	∅ 8 inox medium washer
15	11355	24-M hopper box
16	13980	M 8 nylstop inox nut
17	11379	COMPACT-PRO 30, 35, 40 & 50 machine safety grid
18	80470	8 x 20 cylindrical head screw