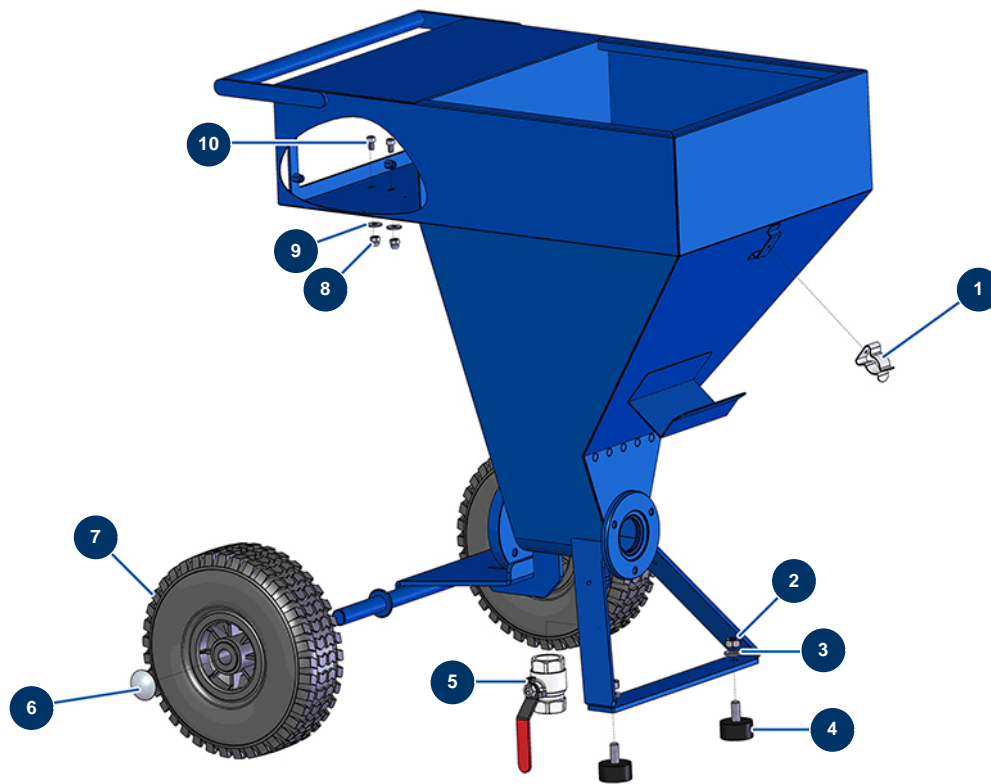


MINIJET 80 complete atomizer - COATSPRAY spray-gun - Chassis



Détails des pièces

Pos.	Référence	Désignation
1	80582	Case support spring
2	13978	M10 inox nut
3	80261	ø 10 inox medium washer
4	30145	Ø 40 x 20 M10 stop
5	70031	Drain valve for EUROPRO 4-6-8-14 P, MPE, AG, 7000z, 9000z
6	90281	Ø20 chromed clip
7	80001	Complete wheel 260 shaft of 20 for 6,8,14P, MPE 80 and 200, 7000z, 9000z
8	30330	M 6 Inox cap nut
9	30291	ø 6 large washer
10	90798	M6 x 10 cylindrical head screw - CP 60 cylindrical head screw